

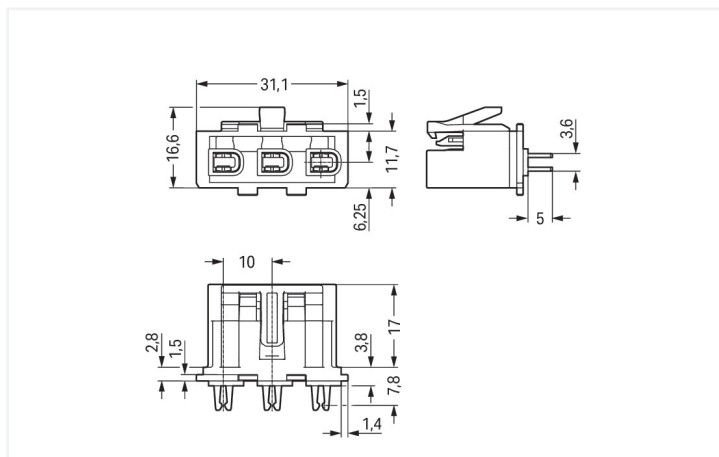
## Data Sheet | Item Number: 770-418

Device connector; 3-pole; Cod. A; Plug module with locking lever; Plastic; black

<https://www.wago.com/770-418>



Color: ■ black



Dimensions in mm

### Male connector/plug WINSTA® MIDI with protection type IP20

The WINSTA® MIDI male connector/plug rated current 25 A allows installation of fine-stranded and solid conductors. The pluggable installation connectors with spring pressure connection technology work completely without screw connections. They allow resource-efficient, error-free installation in numerous possible uses. The color coding and mechanical coding of the pluggable installation connector ensure error-free installation of the individual components – including protection against mismatching. The pluggable installation connector is protected in accordance with protection type IP20. That results in the fact that users' fingers will never come into contact with energised elements. The WINSTA® MIDI pluggable installation connector with A coding in black or white is normally used for general mains applications in power distribution. This pluggable installation connector is used for electrical currents up to 25 A. Thus the product is also suitable for high power loads. Our WINSTA® MIDI product line offers total flexibility for the installation of applications. Through its Push-in CAGE CLAMP® spring pressure connection technology, it ensures error-free, time-saving installation and offers flexibility for meeting an enormous variety of installation requirements.

WINSTA® MIDI solutions for your electrical installation – protected against mismatching and maintenance-free

The WINSTA® Pluggable Connection System is perfectly tailored to the strict requirements of building installation. It makes electrical installation pluggable, and consequently faster, even more reliable, and error-free. Using this pre-assembled system decreases time spent on assembly and errors during installation at the construction site. Now you can also lower installation expenses without compromising quality and safety: with locking lever eliminates the need for servicing and prevents unnecessary downtime.

- pluggable installation connectors with protection against mismatching
- pre-assembled versions
- suitable for any application

- exact dimensions
- convenient installation and commissioning

**Notes**

|                                   |  |
|-----------------------------------|--|
| <p>General safety information</p> | <p><b>NOTICE: Observe installation and safety instructions!</b></p> <ul style="list-style-type: none"> <li>• Nur von Elektrofachkraft oder einer für die Tätigkeit elektrisch unterwiesenen Person (EUP nach DIN VDE 0105-100) anzuwenden!</li> <li>• Nicht unter Spannung/Last installieren!</li> <li>• Nur für bestimmungsgemäßen Gebrauch einsetzen!</li> <li>• Nationale Vorschriften/Normen/Richtlinien beachten!</li> <li>• Technische Daten der Produkte beachten!</li> <li>• Auf die richtige Polbelegung achten!</li> <li>• Keine beschädigten/verschmutzten Komponenten verwenden!</li> <li>• Leiterarten, -querschnitte, Abisolierlängen und Leitungsdurchmesser beachten!</li> <li>• Leiter bis zum Anschlag einführen!</li> <li>• Nur mit Verriegelungsklinke und Zugentlastung verwenden!</li> <li>• Originalzubehör verwenden!</li> </ul> <p><b>To be sold only with installation instructions!</b></p> |
| <p>Safety Information</p>         | <p>Application note for the U.S. market (USR): Some versions may also be used for current interruption in accordance with the UL certificate in select applications with currents below 16 A and voltages up to 600 V. For further information, please contact your local sales office.</p>  |

**Electrical data**

| Ratings per                     | IEC/EN 60664-1 |     |    | Approvals per | UL 1977 |
|---------------------------------|----------------|-----|----|---------------|---------|
| Overvoltage category            | III            | III | II | Rated voltage | 600 V   |
| Pollution degree                | 3              | 2   | 2  | Rated current | 23 A    |
| Nominal voltage                 | 250 V          | -   | -  |               |         |
| Rated impulse withstand voltage | 4 kV           | -   | -  |               |         |
| Rated current                   | 25 A           | -   | -  |               |         |

| General information        |  |
|----------------------------|--|
| Note on contact resistance | approx. 1 mΩ of contact resistance<br>approx. 0.25 mΩ contact transition plug/socket |

**Connection Data**

|                            |   |                     |
|----------------------------|---|---------------------|
| Total number of potentials | 3 | <b>Connection 1</b> |
|                            |   | Pole number         |
|                            |   | 3                   |

**Physical data**

|             |                        |
|-------------|------------------------|
| Pin spacing | 10 mm / 0.394 inches   |
| Width       | 31.1 mm / 1.224 inches |
| Height      | 18.1 mm / 0.713 inches |
| Depth       | 25.8 mm / 1.016 inches |

### Mechanical data

|   |  |
|---|--|
| Use                                     | General mains applications                               |
| Coding                                  | A  |
| Variable coding                         | No   |
| Marking                                 | plain  |
| Mating force of a plug-in connection    | approx. 20 ... 70 N (depending on pole number)           |
| Retention force of a plug-in connection | Locked: > 80 N   |
| Unmating force of a plug-in connection  | Unlocked: approx. 20 ... 70 N (depending on pole number) |
| Number of mating cycles                 | 200, without resistive load                              |
| Protection type                         | IP20   |

### Plug-in connection

|                                    |  |
|------------------------------------|--|
| Contact type (pluggable connector) | Male connector/plug  |
| Connector (connection type)        | for current bar  |
| Mismating protection               | Yes  |
| Note on mismating protection       | All <i>WINSTA</i> ® components are 100% protected against mismating when:<br>a.) plugging different numbers of poles<br>b.) plugging while rotated 180<br>c.) plugging while laterally staggered<br>d.) plugging one pole  |
| Locking lever                      | Yes  |
| Locking of plug-in connection      | Locking lever  |
| Note on locking system             | All connectors for mounted installations (snap-in versions for lighting fixtures or devices, all types of PCB and distribution connectors) are factory-equipped with locking levers to ensure plugs and sockets are securely locked. Additional locking levers are only required for flying leads (plug/socket). |

### Material data

|                                    |  |
|------------------------------------|--|
| Note (material data)               | <a href="#">Information on material specifications can be found here</a> |
| Color                              | black  |
| Insulation material (main housing) | Polyamide (PA66)   |
| Flammability class per UL94        | V0   |
| Clamping spring material           | Chrome-nickel spring steel (CrNi)  |
| Contact material                   | Copper or copper alloy; surface-treated                                  |
| Contact Plating                    | Tin  |
| Fire load                          | 0.099 MJ   |
| Weight                             | 5 g  |

### Environmental requirements

|  |  |
|--|--|
| Processing temperature                   | -5 ... +40 °C                              |
| Continuous operating temperature         | -35 ... +85 °C                             |
| Note on continuous operating temperature | Insulating parts for temperatures ≤ 105 °C |

### Commercial data

|                       |               |
|-----------------------|---------------|
| Product Group         | 20 (Winsta)   |
| PU (SPU)              | 100 pcs       |
| Packaging type        | Box           |
| Country of origin     | DE            |
| GTIN                  | 4045454522896 |
| Customs tariff number | 85366990990   |

| Product Classification |                      |
|------------------------|----------------------|
| UNSPSC                 | 39121402             |
| eCl@ss 10.0            | 27-44-06-02          |
| eCl@ss 9.0             | 27-44-06-02          |
| ETIM 9.0               | EC002566             |
| ETIM 10.0              | EC002566             |
| ECCN                   | NO US CLASSIFICATION |

| Environmental Product Compliance |                         |
|----------------------------------|-------------------------|
| RoHS Compliance Status           | Compliant, No Exemption |

### Approvals / Certificates

#### General approvals



| Approval                        | Standard  | Certificate Name |
|---------------------------------|-----------|------------------|
| CCA<br>DEKRA Certification B.V. | EN 61535  | 71-123228        |
| CCA<br>DEKRA Certification B.V. | IEC 61535 | NL -84761        |

#### Declarations of conformity and manufacturer's declarations

| Approval  | Standard | Certificate Name |
|---|----------|------------------|
| EU-Declaration of Confor-<br>mity<br>WAGO GmbH & Co. KG | -        | -                |

#### Approvals for marine applications



| Approval  | Standard  | Certificate Name |
|---|-----------|------------------|
| ABS<br>American Bureau of Ship-<br>ping               | -         | 24-0095977-PDA   |
| DNV GL<br>Det Norske Veritas, Ger-<br>manischer Lloyd | -         | TAE00001Z6       |
| LR<br>Lloyds Register                                 | IEC 61984 | LR22429487TA     |

### Downloads

#### Environmental Product Compliance

| Compliance Search                           |                   |
|---|-------------------|
| Environmental Product<br>Compliance 770-418 | <a href="#">↓</a> |

## Documentation

### Bid Text

|         |            |                 |                   |
|---------|------------|-----------------|-------------------|
| 770-418 | 19.02.2019 | xml<br>2.75 KB  | <a href="#">↓</a> |
| 770-418 | 04.12.2014 | doc<br>23.00 KB | <a href="#">↓</a> |

## CAD/CAE-Data

### CAD data

2D/3D Models 770-418



### CAE data

EPLAN Data Portal  
770-418



WSCAD Universe  
770-418



ZUKEN Portal 770-418



## 1 Compatible Products

### 1.1 System counterpart

#### 1.1.1 Cable assembly



**Item No.: 771-9993/106-101**

pre-assembled connecting cable; Eca; Socket/open-ended; 3-pole; Cod. A; H05VV-F 3G 1.5 mm<sup>2</sup>; 1 m; 1,50 mm<sup>2</sup>; black



**Item No.: 771-9993/006-101**

pre-assembled interconnecting cable; Eca; Socket/plug; 3-pole; Cod. A; H05VV-F 3G 1.5 mm<sup>2</sup>; 1 m; 1,50 mm<sup>2</sup>; black

#### 1.1.2 Female connector/socket



**Item No.: 770-408**

Device connector; 3-pole; Cod. A; black

## 1.2 Required Accessories

### 1.2.1 Cover

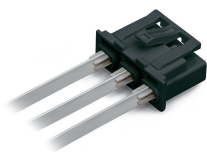
#### 1.2.1.1 Cover



**Item No.: 770-360**

Lockout cap; for plugs; 5-pole; separable; yellow

## Installation Notes



Device connectors can be cost-effectively installed in appropriate guide slots of a housing. Internal electrical connection is performed by contacting the 0.8 mm thick current bars.