

Technische Daten/ Technical Data

KLUDI
hand shower 1 S
DN 15

Ref.: 39120N5-00

Finishes:
N5 Stainless Brushed Nickel PVD

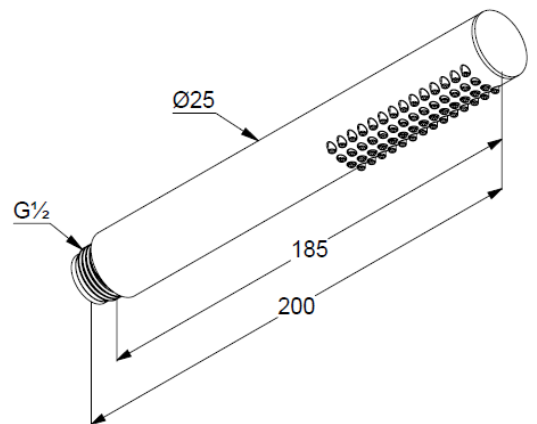
Product description
Manufacturer KLUDI GmbH & Co. KG
Typ: KLUDI
hand shower 1 S
Ref.: 39120N5-00

hand shower
1 spray pattern
with cleaning system
connection G1/2
sieve seal

Produktabbildung/ Product picture



Maßzeichnung/ Dimensional drawing



Durchfluss/ Flow rate

