

ERM60-E4A – Current Transformer

Flexible, compact and reliable, those are the keywords of the ERM-series of ELEQ. All transformers are equipped with a sealable integrated terminal cover in a case of polycarbonate. The current transformers are supplied with mounting hardware for mounting on rail, cable or mounting plate. Optional the transformers can be ordered with clips which can be used to place the transformers on top hat rail.

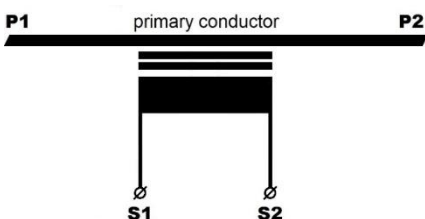


Ordering Specifications

Ratio	Class 0.5 VA	Class 1 VA	Class 3 VA	Article Number
250/5A		2,5	5	4M2701E
300/5A		5		4M2702E
400/5A	3	4	5	4M2703E
500/5A	4	5	7,5	4M2704E
600/5A	5	7,5	10	4M2705E
250/1A		2,5	5	4M2711E
300/1A		5		4M2712E
400/1A	3	4	5	4M2713E
500/1A	4	5	7,5	4M2714E
600/1A	5	7,5	10	4M2715E

For another ratio, class, burden or double measurement ranges, please consult our Sales Department for more information.

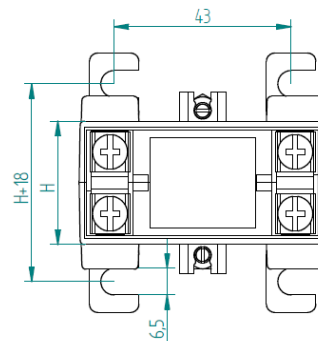
Wiring Diagram



Technical Specifications

Environmental conditions	
This product is designed to be safe under the following conditions:	
Location:	Indoor use
Operating temperature:	-5°C .. +40°C
Relative humidity:	5% .. 85%, non condensing
Protection degree:	IP20
Application conditions	
Standard:	IEC 61869-2
Rated short-time thermal current:	60 x I _n / 1s
Continuous thermal current (I _{cth}):	1 x I _n
Rated insulation level:	0,72/3/-kV
Rated frequency:	50/60Hz
Class of insulation:	E
Primary window dimensions:	Max cable Ø 24,5 mm Max rail 30x10(14)mm or 40x10mm
Secondary terminals:	Screw terminals (max. torque 2Nm) Max. cross-sectional area of cable (stranded) 6mm ²

Dimensions



Type	Height (mm)
A	30

