

Shower head - Brushed Durabrass (23kt Gold)

SERIES SPECIFIC

28 504 670 Product version from 6/30/2015



- spray head Ø 100mm
- PURIFY RAIN, max. flow rate 7 l/min (at 3 bar)
- Function from: 6 l/min
- with anti-scale system

Technical data:

- 180-210mm projection
- ball-joint pivotable through 30°
- rosette 60 x 60 mm
- 1/2" connection

Notes:

	Brushed Durabrass (23kt Gold)	28 504 670-28
	Chrome	28 504 670-00
	Brushed Platinum	28 504 670-06
	Platinum	28 504 670-08
	Dark Chrome	28 504 670-19
	Brushed Light Gold (PVD)	28 504 670-27
	Matte Black	28 504 670-33
	Brushed Gold (PVD)	28 504 670-37
	Brushed Dark Brass (PVD)	28 504 670-39
	Brushed Bronze (PVD)	28 504 670-42
	Brushed Dark Bronze (PVD)	28 504 670-43
	Brushed Champagne (22kt Gold)	28 504 670-46
	Champagne (22kt Gold)	28 504 670-47
	Brushed Chrome	28 504 670-93
	Brushed Dark Platinum	28 504 670-99

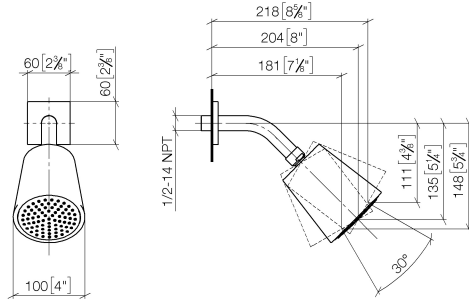
Recommended miscellaneous



- Concealed wall elbow -** 35 085 970 90
- min. recess depth 90 mm
 - max. recess depth 163 mm

28 504 670 Product version from 6/30/2015

mm [inches]



Flow rate chart



Codes & Standards

DIN 4109

ISO 3822

Ü-Zeichen



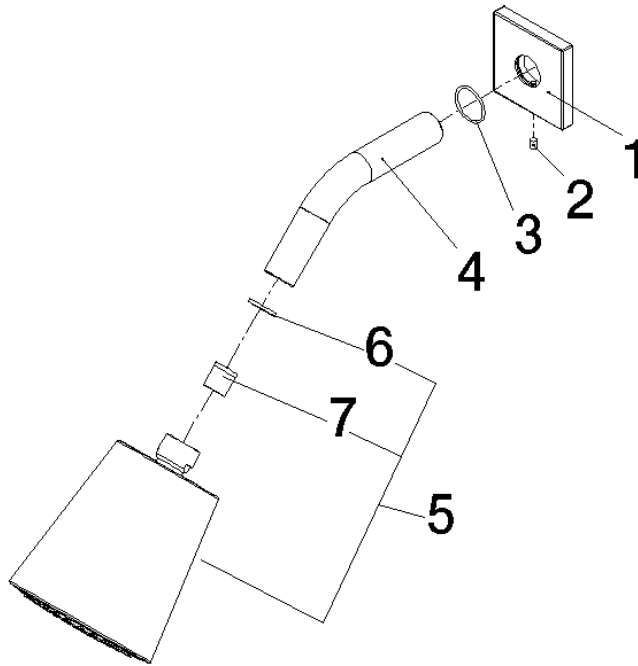
Shower head - Brushed Durabronz (23kt Gold)

SERIES SPECIFIC

28 504 670 Product version from 6/30/2015

Certificates and sustainability

LGA_19



Spare parts list

No.	Item Number	Name	Quantity used	Delivery time
4	09 11 03 011-28	Connection 140 x 65 x 21 mm - Brushed Durabron (23kt Gold)	1.00	40
1	09 27 98 003-28	Rosette 60 x 60 x 9 x Ø 24 mm - Brushed Durabron (23kt Gold)	1.00	40
2	09 31 11 048 90	Mounting Threaded pin with hexagon socket with point M4 x 8 mm -	1.00	14
6	90 14 20 002 00 90	Washer 18,5 x 12,0 x 2,0 mm -	1.00	14
5	90 12 05 054 00-28	Spray Overhead shower Ø 141 x 178 mm - Brushed Durabron (23kt Gold)	1.00	40
3	09 14 10 098 90	O-Ring 22,0 x 1,6 mm -	1.00	14
7	09 23 01 086 90	Flow limiter beige 7,6 l/min. -	1.00	14