

ERM120-E8/2 – Current Transformer

Flexible, compact and reliable, those are the keywords of the ERM-series of ELEQ. All transformers are equipped with a sealable integrated terminal cover in a case of polycarbonate. The current transformers are supplied with mounting hardware for mounting on rail, cable or mounting plate. Optional the transformers can be ordered with clips which can be used to place the transformers on top hat rail.



Technical Specifications

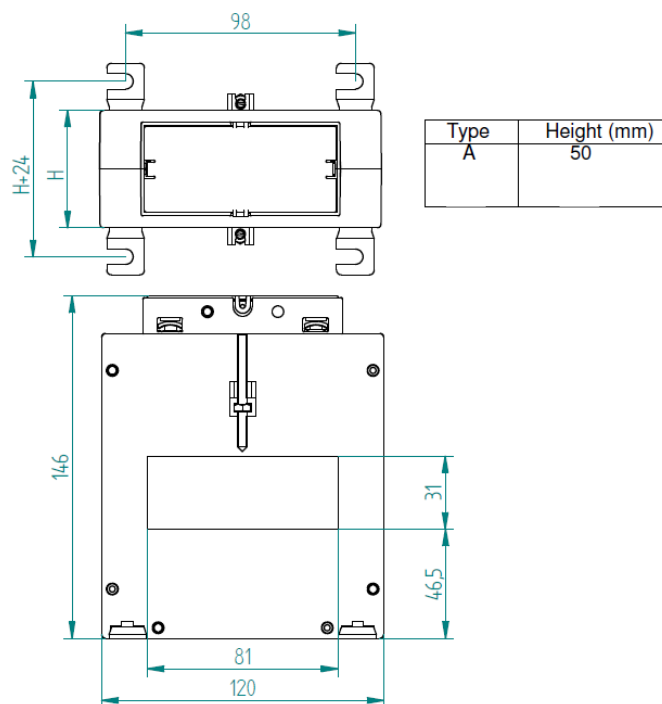
Environmental conditions	
This product is designed to be safe under the following conditions:	
Location:	Indoor use
Operating temperature:	-5°C .. +40°C
Relative humidity:	5% .. 85%, non condensing
Protection degree:	IP20
Application conditions	
Standard:	IEC 61869-2
Rated short-time thermal current:	60 x I _n / 1s
Continuous thermal current (I _{ct}):	1 x I _n
Rated insulation level:	0,72/3/-kV
Rated frequency:	50/60Hz
Class of insulation:	E
Primary window dimensions:	Max cable Ø 30 mm Max rail 2x 80x10mm or 80x10(30)mm
Secondary terminals:	Screw terminals (max. torque 2Nm) Max. cross-sectional area of cable (stranded) 6mm ²

Ordering Specifications

Ratio	Class 0.5 VA	Class 1 VA	Fs5 at.. VA	Article Number
1000/5A	1...10	20	10	4MA324E
1200/5A	1...10	20	10	4MA322E
1500/5A	1...20	30	20	4MA301E
1600/5A	1...20	30	20	4MA302E
2000/5A	1...20	30	20	4MA303E
2500/5A	1...30		30	4MA304E
1000/1A	1...10	20	10	4MA316E
1200/1A	1...10	20	10	4MA317E
1250/1A	1...10	20	10	4MA318E
1500/1A	1...20	30	20	4MA311E
1600/1A	1...20	30	20	4MA312E
2000/1A	1...20	30	20	4MA313E
2500/1A	1...30		30	4MA314E

For another ratio, class, burden or double measurement ranges, please consult our Sales Department for more information.

Dimensions



Wiring Diagram

