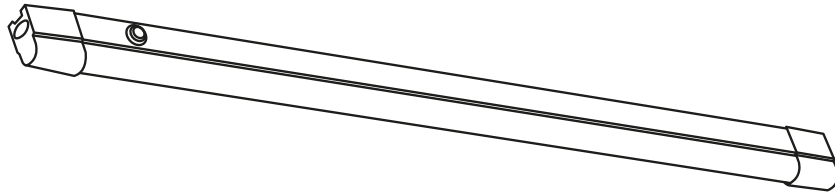




Read these instructions & save for future use

Led T5 | surface mount | 120cm | 18W | 3-CCT



Article number **177-062**

Brand **Tronix Lighting**

Type **Ceiling lighting**

Contents of this product **1x 18W led T5 3-CCT**

Technical datasheet **Digitally available
on our webshop**



*View instructions and
technical data also on
our website*

TRONIX



Before first use

Before getting started with this product, it is advisable to check the order completeness and any damage. If this is the case, please contact Tronix Lighting.

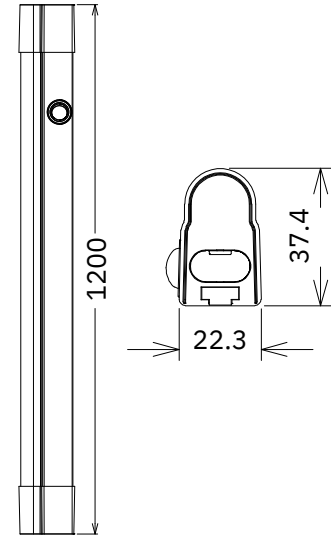
Description

This T5 LED fixture is the replacement for traditional T5 fixtures. Have up to 750W of connectable lighting, which are available in multiple white tones for various and especially wide application.

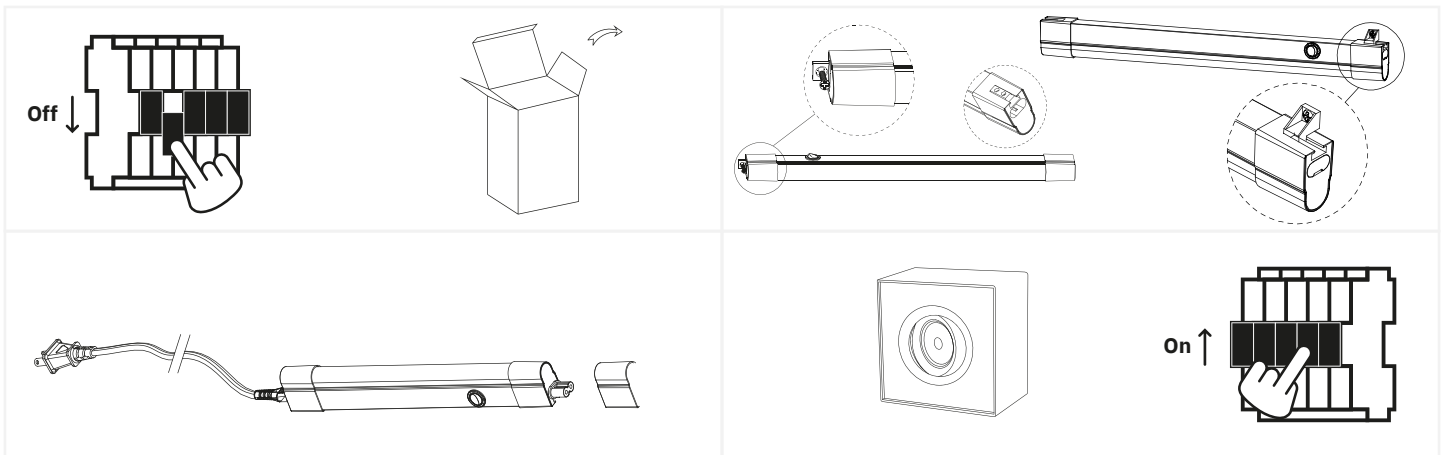
So they are not only suitable for garages for example, but also as general lighting for commercial premises, offices or schools.

Features

- CCT switch for color temperatures 3000K, 4000K and 5700K;
- On/off button on front of fixture;
- Up to 750W can be placed in one line;
- Long lifespan of 50,000 hours.



Installation



1. Turn off the power and remove the product and associated parts from the packaging.
2. Attach the brackets (ceiling or wall) and slide the beam through these cubes to hang what. Then secure the set with the second bracket;
3. Insert the plug to make the set work and, where necessary, insert a connector to extend the set;
4. Check the complete installation. Should this be in order, you can reactivate the power.



Safety

Safety is a top priority at Tronix Lighting. Therefore, we heartily recommend that you follow the following steps closely:

- Keep this manual carefully for future reference;
- Choose a qualified electrician while installing, maintaining or inspecting this product;
- Never look directly into a light source to avoid possible eye damage;
- Ensure that the respective power group is always on non-active when the product is connected;
- Use only recommended combinations (LED drivers, controllers or dimmers) to avoid injury or damage to the product;
- The light source of this light is not replaceable. Because of this, you must replace the entire fixture towards the end of its lifespan and it is not recommended to open it.

Technical problems and repair

Should a product not work properly after installation, or if the product exhibits problems over time, it is advisable to check the following elements:

- Check the wiring and installation of your product;
- Check for the presence of interfering elements such as dust, water or other electronics;
- If possible, try disconnecting the product and testing it in another location to rule out a problem at the location;
- Should you be dealing with a WIFI-based product, check and reset your router's settings.

Should the product still not work after testing, it is recommended to send it in for inspection and/or repair. To do so, please contact Tronix Lighting using nearby details and proof of purchase (packing slip).



CARE



SHARE



CONNECT

Supplier:

Tronix Lighting B.V

Vluchtoord 41
5406 XP Uden, Netherlands

+31 (0)413 330 380
sales@tronixlighting.com

Terms and symbols (as relevant to product)



The **CE mark** indicates that this product complies with EU regulations on safety, health and environmental protection;



The **WEEE symbol** stands for "Waste Electrical and Electronic Equipment Regulation," a directive on the collection, recycling and recovery of electronic waste;



The **Class II symbol** indicates that this product is double insulated;

- The product has an **IP42 rating**. This means that the product provides protection against objects larger than 1 mm and is drip-proof (no damage from falling drops when device is tilted 15°).