

# TRONIX

guided by light



LED T5 Surface Mounted Tube  
60 & 120cm.





## Introduction

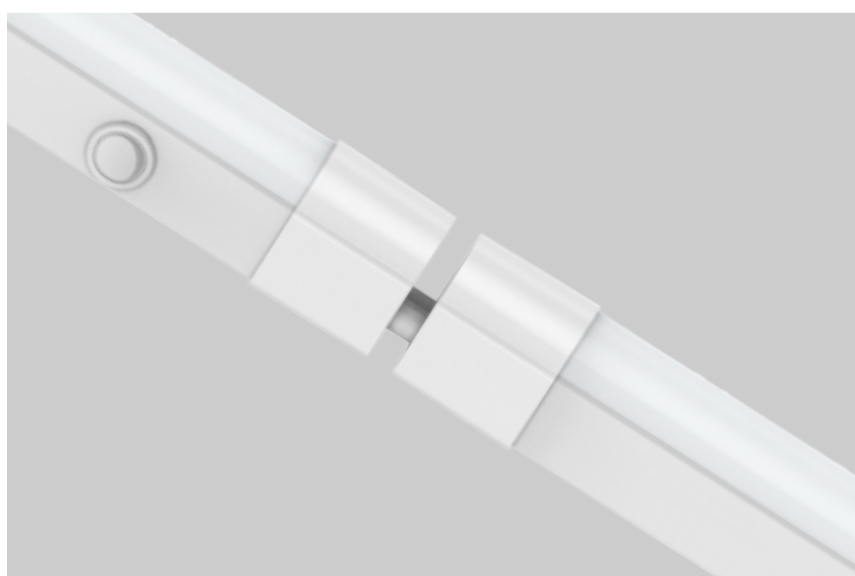
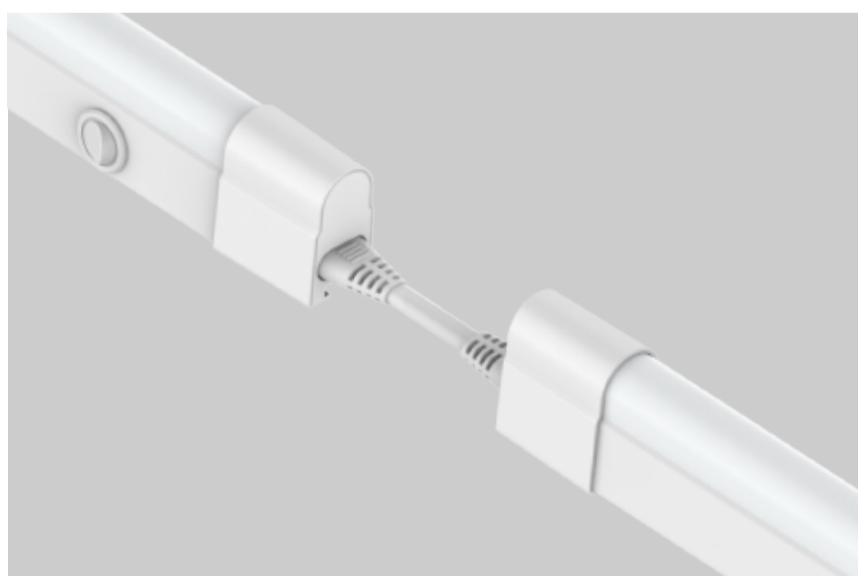
Integrated complete PC LED Surface Mounted T5 tube is a successful economic design. Adopt high lumen SMD LED as light source, full PC cover (pass 750C° glow-wire test) ensures high light transmittance and safe installation. Changeable CCT and IP42 protection level also make it easier maintenance. Special installation: Surface mounted and wall mounted with different accessories. Linkable design with connect wires or connect accessories, which is suitable for a wider application.

## Features

- Linkable design, the Max power is 750W for linkable.
- 110lm/W.
- IP42 protection level.
- Changeable CCT with switch (3000K+4000K +5700K).
- Two installations: Surface mounted, wall mounted.

## Application Areas

All commercial, industrial and domestic applications .

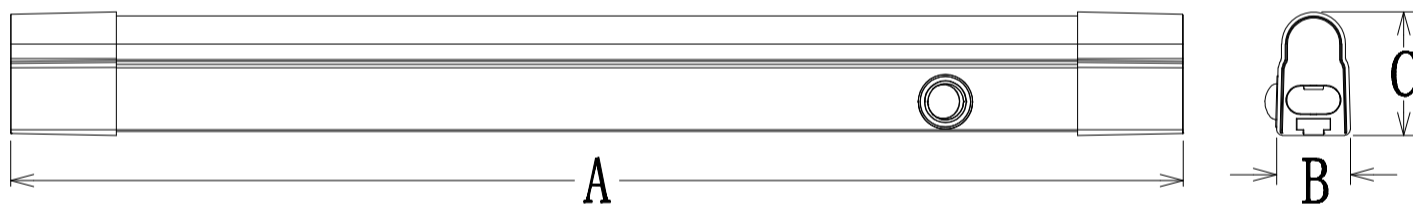


# Technical Data Sheet

Code No.	177-061	177-062
Dimension(mm)	600*22.3*37.4	1200*22.3*37.4
Cutout (mm)	-	
Watt(W)	8W	18W
Rated Input Voltage(V)	AC230V	
Input Voltage(V)	AC200-240V	
LED Module Input	-	
Light Source	SMD	
SDCM	<6	
CCT(K)	3-CCT: 3000K + 4000K + 5700K	
CCT Selection DIP Switch	YES	
Luminous Flux (lm) ±5%	870-980LM	1940-2205LM
CRI	80	
Beam Angle (°)	160°	
UGR	-	
LED Driver	Built-in	
Dimming Option	-	
Sensor	-	
Electrical Class	Class °C	
Ingress Protection (IP Rating)	IP42	
Impact Resistance (IK Rating)	-	
Product Finishing(Base)	White RAL 9016	
Materials of Optics	PC	
Materials of Housing	PC	
Lifetime (hr)	50,000h	
Glow wire test (°C)	750°C	
Operating Temp. (°C)	-20~45°C	
Storage Temp. (°C)	-20~65°C	
Installation	Surface mounted / Wall mounted	

## Measurement

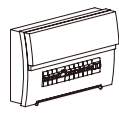
Code	Dimension(mm)			Product Weight (Kg) Package weight (Kg)				Carton Size(cm)
	A	B	C	N.W/PC	G.W/PC	N.W/CTN	G.W/CTN	
177-061	600	22.3	37.4	0.25	0.33	16.5	17.4	66.5*53*25
177-062	1200	22.3	37.4	0.37	0.46	13.8	14.8	126.5*32.5*25



## Driver Datasheet (Non-dimmable)

Total load wattage		8W	18W
Output	Output Voltage Range	DC68-80V	
	Rated Output Current	110mA	240mA
	Line Regulation	±5%	
	Setup, Rise Time	<0.5S	
	Flickering Index	-	
Input	Input Voltage	AC230V	
	Rated Input Voltage(V)	AC200-240V	
	Frequency	50/60HZ	
	Input Current	0.038A	0.086A
	Rated Input Current	0.055A	0.15A
	Power Factor	0.9	
	THD	<20%@230V	
	Efficiency	> 86%	> 88%
Protection	No load Wattage	<0.5W	
	Short Circuit Protection	Pass	
	Over Voltage protection	Pass	
Safety & EMC	Over Temperature Protection	Pass	
	Withstand Voltage	I/P-O/P:3.75KVac,<5mA 60S I/P;FG:1.6KVac,<5mA 60S O/P;FG:0.5KVac,<5mA 60S	
	Isolation Resistance	I/P-O/P: 500VDC, ≥100M Ω	
	Surge	IEC/EN61000-4-5( P < 25W; L-N:500V, L/N-PE:1000V);	
Safety & EMC	EMC Emission	EN55015, EN61000-3-2	
	EMC Immunity	EN61000-4-2,3,4,5,6,8,11; EN61547	

# Installation Procedure



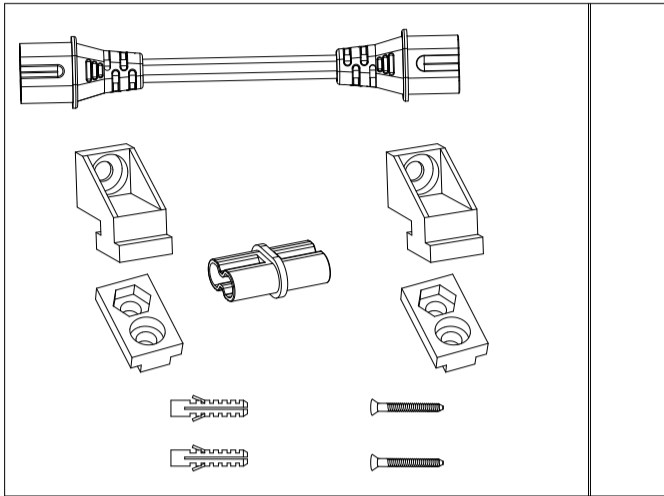
## WARNING

1. Switch off before installation.
2. Switch on only after complete installation and examination of the circuit.
3. Professional electrician for installation and maintenance only.

Turn Off power supply before starting any installation. Read instructions & check you have all the tools & accessories to complete the installation correctly.

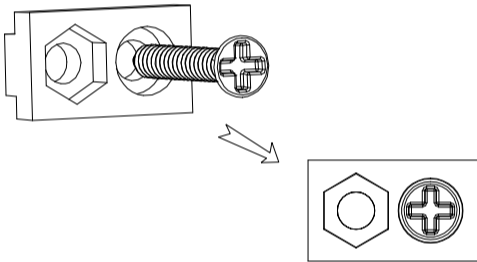
### Surface mounted

#### Step 1



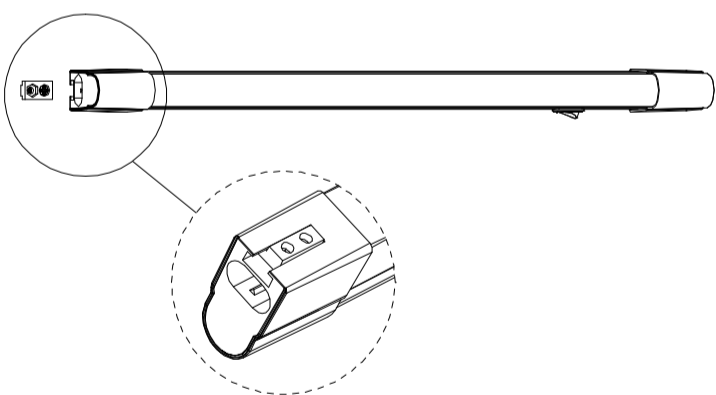
Take out the lamp and accessory pack from box.

#### Step 2



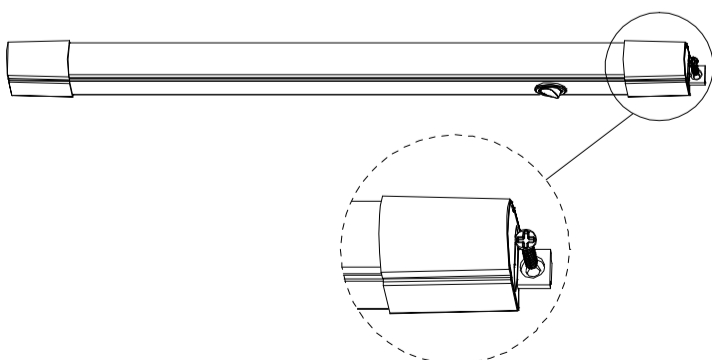
Knock the surface mounted accessories into needed position.  
(If with cement board or plaster board, need add rubber plug and screws)

#### Step 3



Insert one side of lamp into surface mounted accessory as the picture shown.

#### Step 4



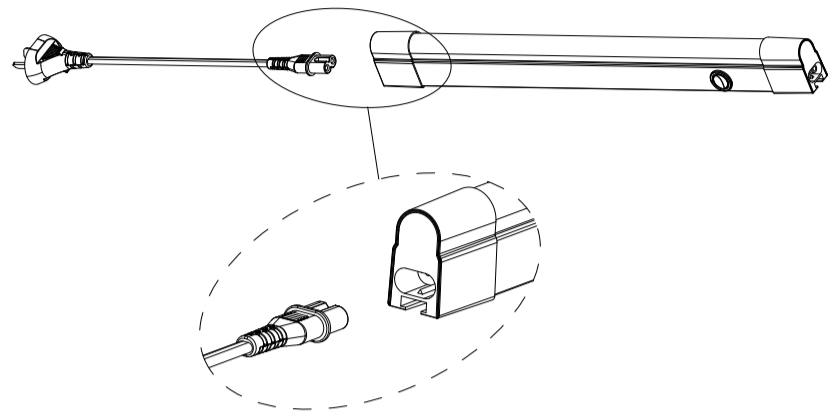
Fix the other side accessory with screws, as the picture shown.

#### Step 5



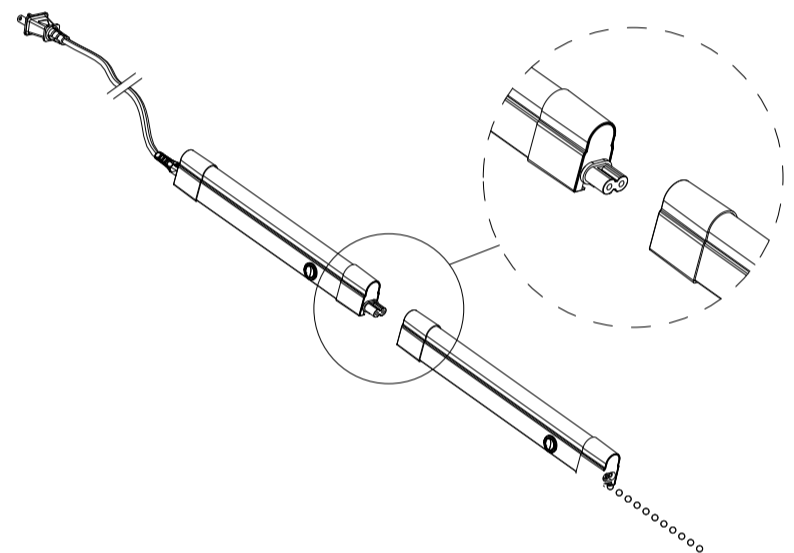
Move the lamp right to hide the accessory.

#### Step 6



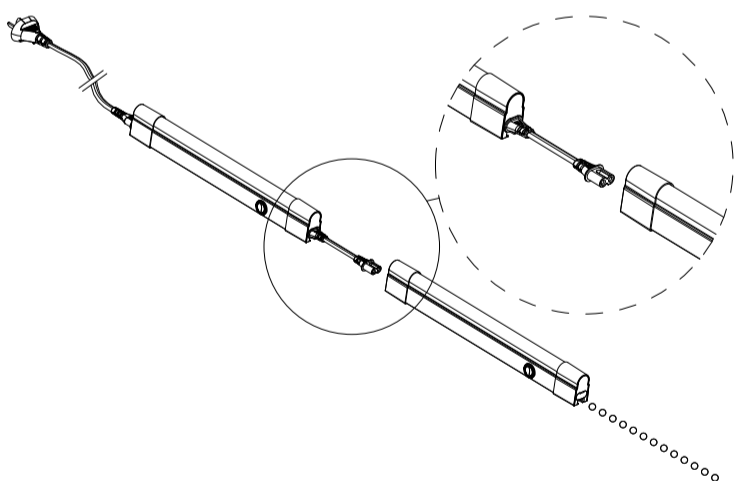
Connect the plug with male plug, then connect main power, switch on.

#### Step 7-1

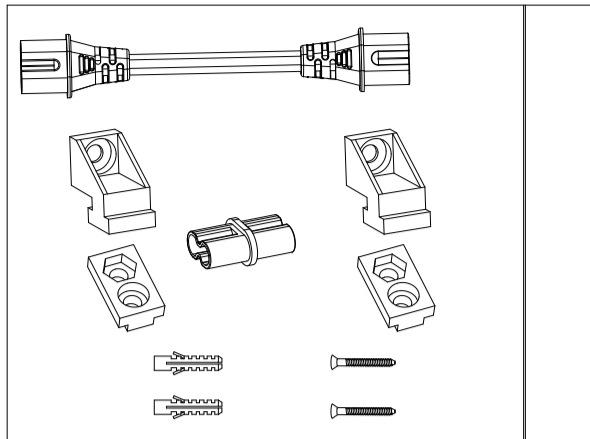


Linkable with connect accessory

#### Step 7-2

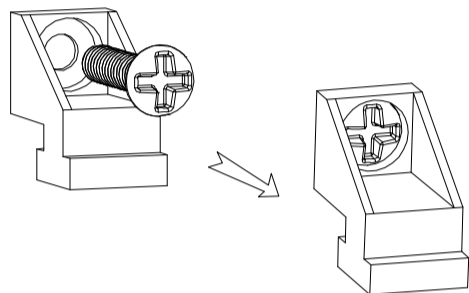


Wall mounted



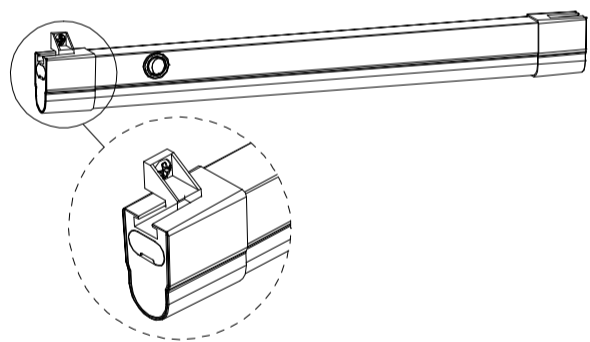
Take out the lamp and accessory pack from box.

Step 2

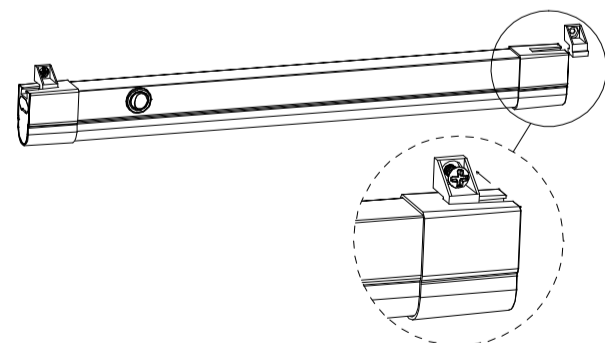


Knock the wall mounted accessories into needed position.  
(If with cement board or plaster board, need add rubber plug and screws)

Step 3

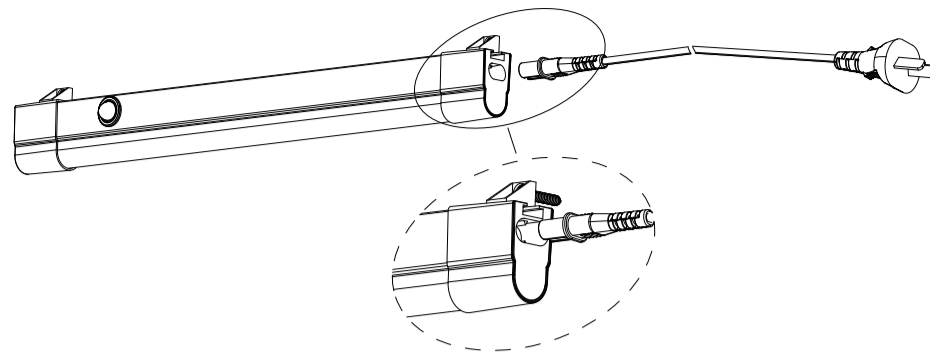


Insert one side of lamp into wall mounted accessory as the picture shown.



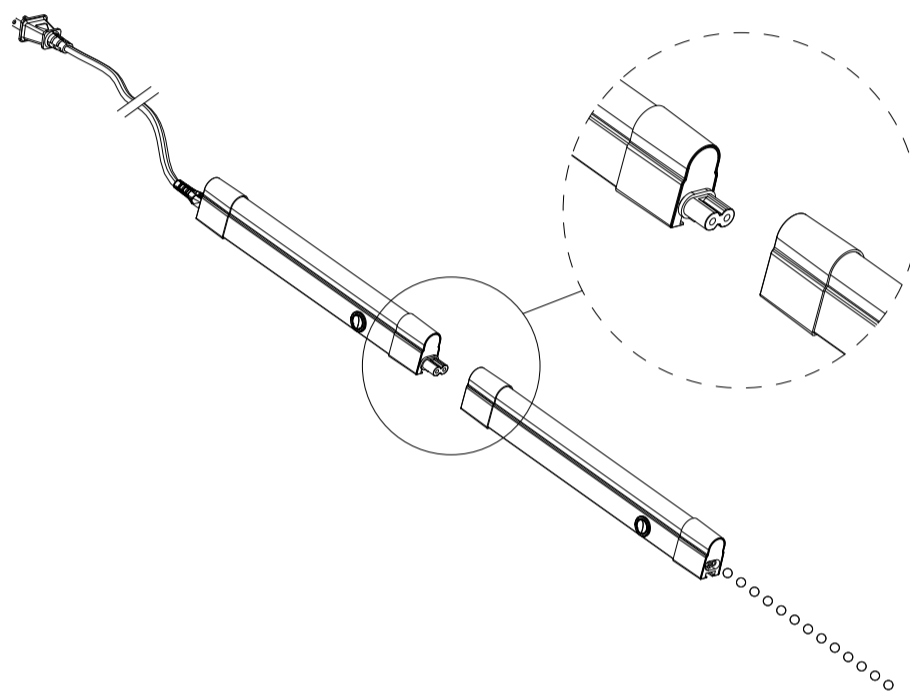
Fix the other side accessory with screws, as the picture shown.

Step 5



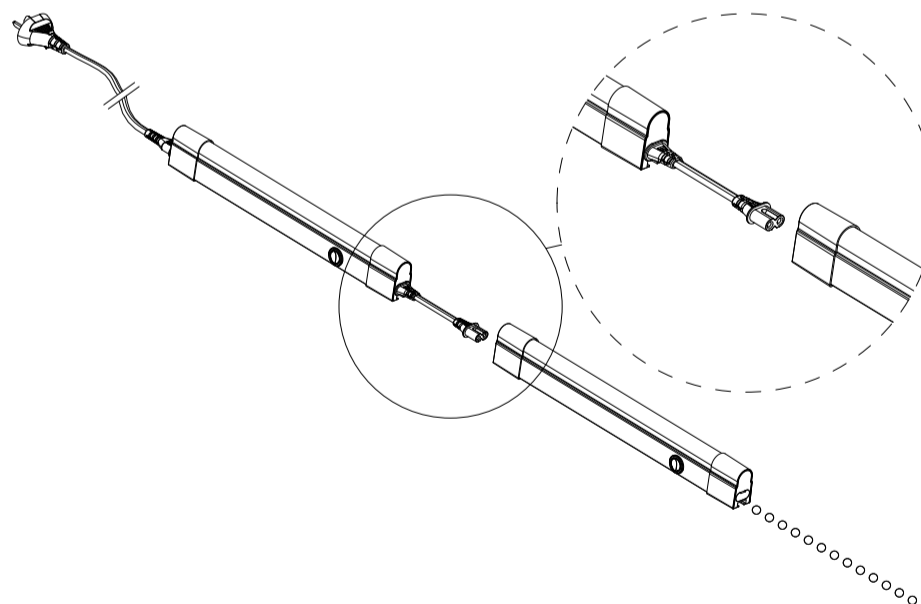
Connect main power, switch on.

Step 6-1



Linkable with connect accessory

Step 6-2



Linkable with connect wire.