

36 501 985 Product version up to 2/2/2021



- cover plate 120 x 120 mm
- temperature control handle with safety limit stop at 38°C
- thermostat cartridge
- WRAS

	Chrome	36 501 985-00
	Brushed Platinum	36 501 985-06
	Platinum	36 501 985-08
	Dark Chrome	36 501 985-19
	Brushed Light Gold (PVD)	36 501 985-27
	Brushed Durabrass (23kt Gold)	36 501 985-28
	Matte Black	36 501 985-33
	Brushed Gold (PVD)	36 501 985-37
	Brushed Dark Brass (PVD)	36 501 985-39
	Brushed Bronze (PVD)	36 501 985-42
	Brushed Dark Bronze (PVD)	36 501 985-43
	Brushed Champagne (22kt Gold)	36 501 985-46
	Champagne (22kt Gold)	36 501 985-47
	Brushed Chrome	36 501 985-93
	Brushed Dark Platinum	36 501 985-99

Required miscellaneous



xTOOL Concealed thermostat module without volume control - 35 503 970 90
 •min. recess depth 95 mm
 •max. recess depth 160 mm

Recommended miscellaneous



xGRID Attachment set for integrating in the dry wall construction - 12 340 970 90

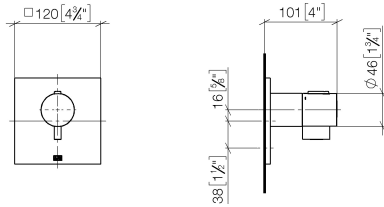
Required miscellaneous



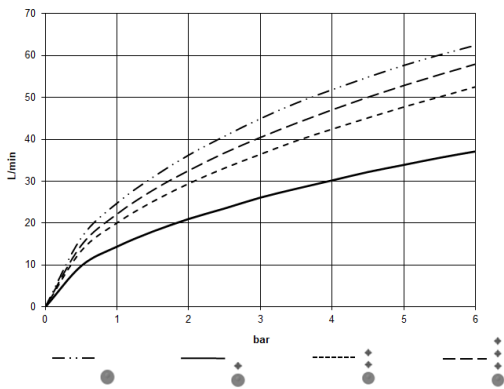
xGRID Installation track 555 mm - 12 360 970 90

36 501 985 Product version up to 2/2/2021

mm [inches]



Flow rate chart



Codes & Standards

DIN 4109

EN 1111

ISO 3822

Scottish Water
Byelaws

UK Water Supply
Regulations

Ü-Zeichen



xTOOL Concealed thermostat without volume control 1/2" - Chrome

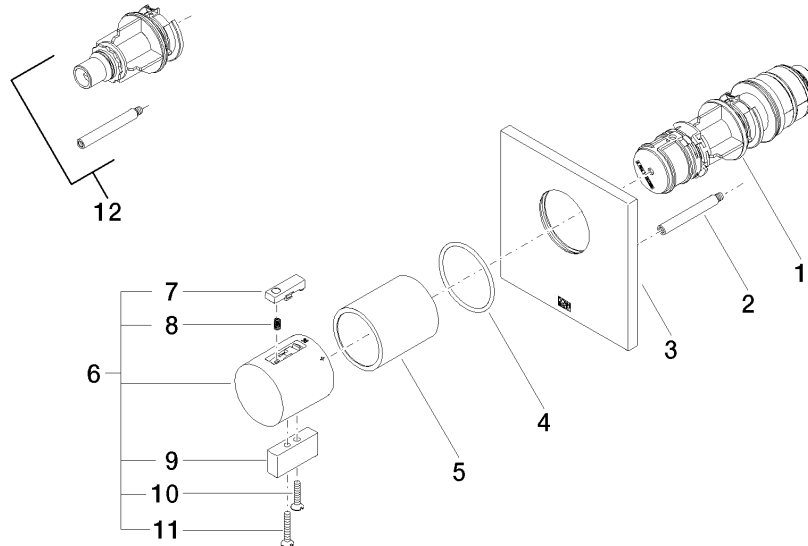
SERIES SPECIFIC

36 501 985 Product version up to 2/2/2021

Certificates and sustainability

WRAS_2011	DVGW_DW-6512DN0	LGA_29	LGA_29	LGA_29
-----------	-----------------	--------	--------	--------

EPD-DOR-20230287
-IBA1-EN
Environmental.prod
uct-declarat



Spare parts list

No.	Item Number	Name	Quantity used	Delivery time
12	12 178 970 90	Extension 46 mm -	1.00	14
1	90 15 02 065 00 90	Thermostat cartridge with control unit Ø 44 x 147 mm -	1.00	14
4	90 14 10 049 00 90	O-Ring 45,69 x 2,62 mm -	1.00	14
3	09 11 02 196-00	xTOOL Rosette 120 x 120 x 8,5 mm - Chrome	1.00	-
Spare part can no longer be ordered, please order the replacement item				
	091102533-00	Cover for xTOOL - Chrome		
10	09 30 30 159-00	Mounting Countersunk screw with slot M4 x 20 mm - Chrome	1.00	20
5	90 21 02 112 00-00	Sleeve - Chrome	1.00	20
8	90 16 02 027 00 90	Spring Ø 4,5 x 7,5 mm -	1.00	14
2	90 31 09 095 00 90	Rod -	1.00	14
11	09 30 30 160-00	Mounting Countersunk screw with slot M4 x 25 mm - Chrome	2.00	20
9	09 20 33 006-00	Handle Ø 58 x 23 mm - Chrome	1.00	20
6	04 17 33 006 00-00	Handle for thermostat 48 x 50 x 46 mm - Chrome	1.00	-
Spare part can no longer be ordered, please order the replacement item				
	90173301800-00	Handle Thermostat Ø48mm - Chrome		
7	90 21 33 011 00-13	Repair kit for thermostat handle - black	1.00	14