

## TECHNICAL DATA SHEET

# Multi-zone valve DucoBox Energy Comfort (Plus)



The 2-zone control for the supply to the home is taken care of quickly and discreetly by the compact Multi-zone valves. A valve is provided for each shunt to the different zones.

The division and regulation into different ventilation zones not only yields significant energy savings, but also ensures that the ventilation system operates much more quietly.

2 variants	Article number
Multi-zone valve DucoBox Energy Comfort (Plus) Ø160	0000-4760
Multi-zone valve DucoBox Energy Comfort (Plus) Ø125	0000-4761

## Physical properties

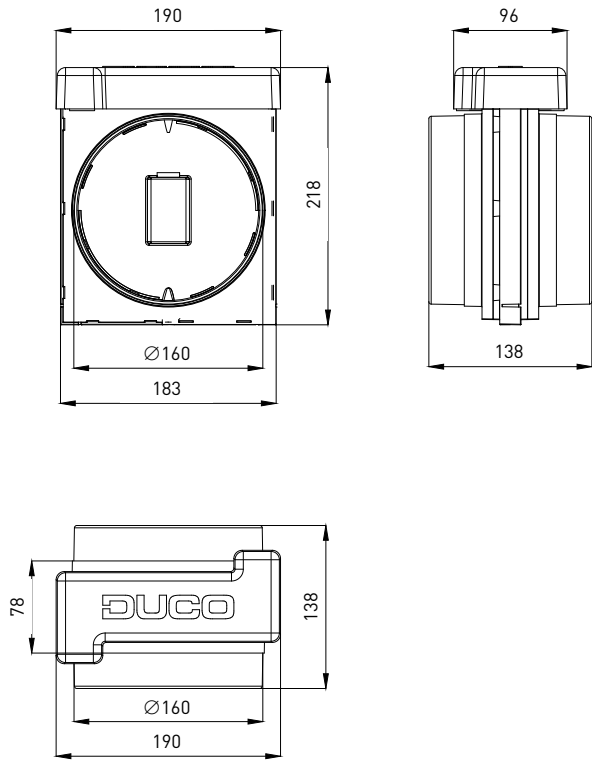
	Multi-zone valve Ø160	Multi-zone valve Ø125
<b>Width x Height x Depth (mm)</b>	220 x 183 x 138 mm	192 x 150 x 138 mm
<b>Duct diameter</b>	2 x Ø160 (M)	2 x Ø125 (M)
<b>Max. recommended flow per valve</b>	250 m <sup>3</sup> /h	150 m <sup>3</sup> /h
<b>Weight</b>	628 g	488 g
<b>Material</b>	PP	
<b>Casing colour</b>	Green, with a white lid	
<b>Valve colour</b>	White	
<b>Applicable for</b>	DucoBox Energy Comfort (Plus)	
<b>Mounting</b>	SUP (supply) ducts Between 2 ducts (spacing 78 mm) Up to 4 Multi-zone valves per DUCO system	

## Electrical characteristics

<b>Power supply</b>	24 VDC
<b>Communication</b>	Duco Wired, to be connected to DucoBox (cabling not included)
<b>Peak power</b>	3 W
<b>IP class</b>	IP40

## Sectional drawings Multi-zone valve DucoBox Energy Comfort (Plus)

Multi-zone valve DucoBox Energy Comfort (Plus)  $\varnothing 160$



Multi-zone valve DucoBox Energy Comfort (Plus)  $\varnothing 125$

