

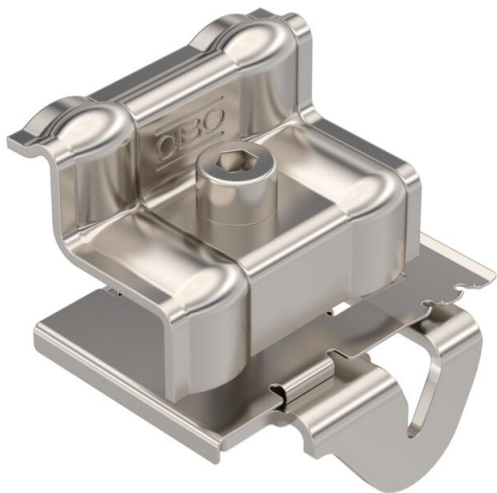
# Technical data sheet

## End clamp for PV module mounting, free-standing system

Item number: 5901074



End clamp for fastening photovoltaic modules on support profiles of free-standing systems. Lockable pre-fastening of the module frames on the support profile. Suitable for slot width 10 mm. Lockable fastening of the PV module with Torx 30 wrench.



A2 Stainless steel

### Master data

Item number	5901074
Type	KLE 30 A2
Description 1	End clamp
Description 2	for free-standing system
Manufacturer	OBO
Dimension	65x70x54
Colour	stainless steel
Material	Stainless steel 1.4301
Smallest sales unit	50
Unit of quantity	Piece
Weight	17.4 kg
Weight unit	kg/100 pc.
CO2 Footprint (GWP) Cradle-to-Gate	0,8653 kg CO2e / 1 Piece

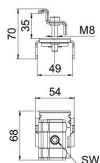
# Technical data sheet

## End clamp for PV module mounting, free-standing system

Item number: 5901074



### Dimensions



Width	54 mm
Height	70 mm

### Technical data

With fastening material	no
Depth	68.5 mm
Adjustable	no
Photovoltaic connection and fastening element version	End terminal
For frame height min.	30 mm
With module earthing	no