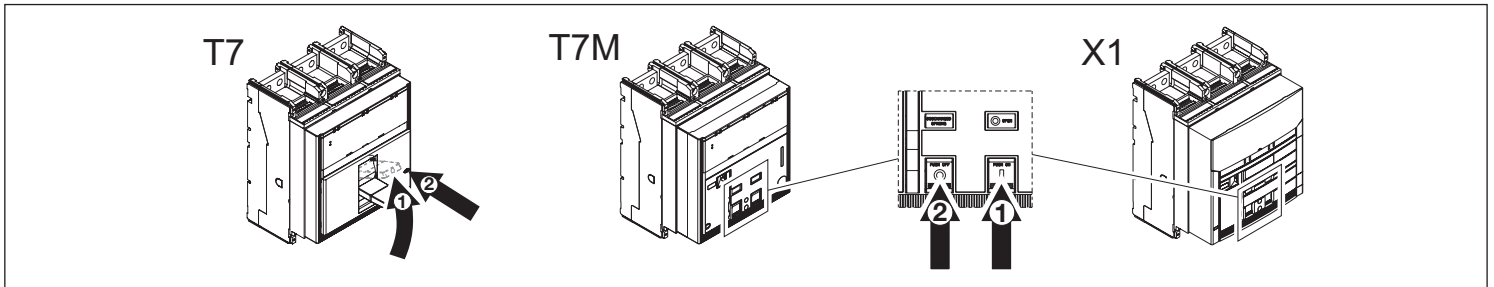


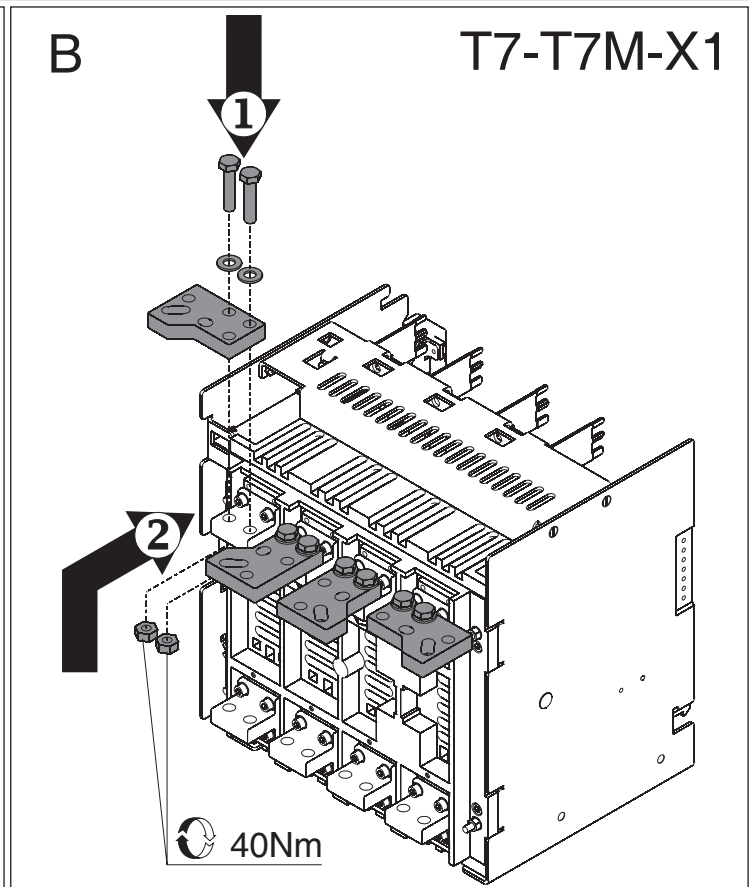
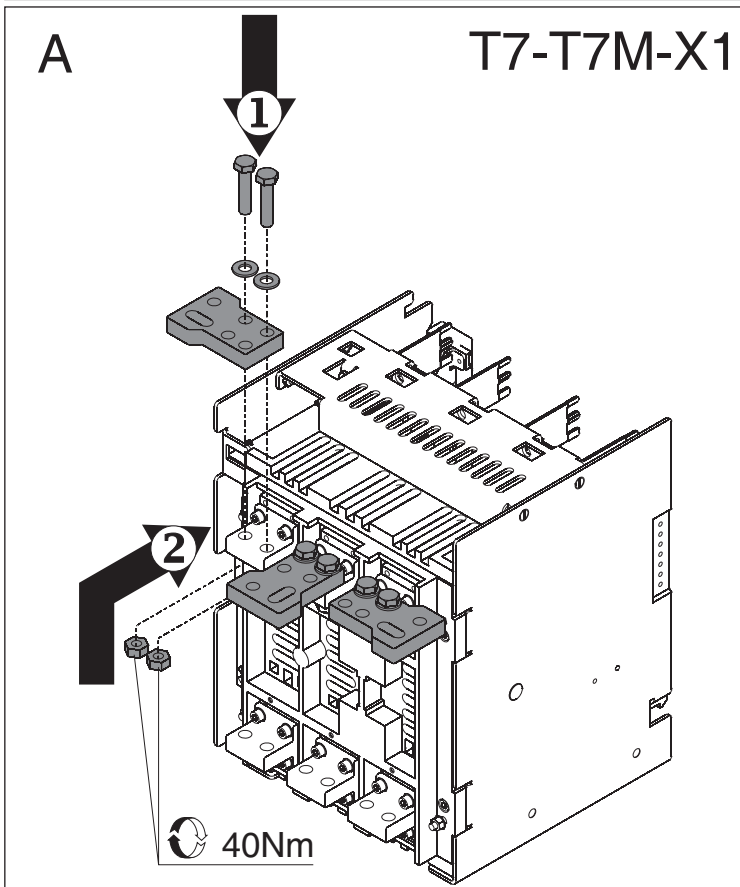
Emax - Tmax

DOC. N.° 1SDH000529R0809 - L3486

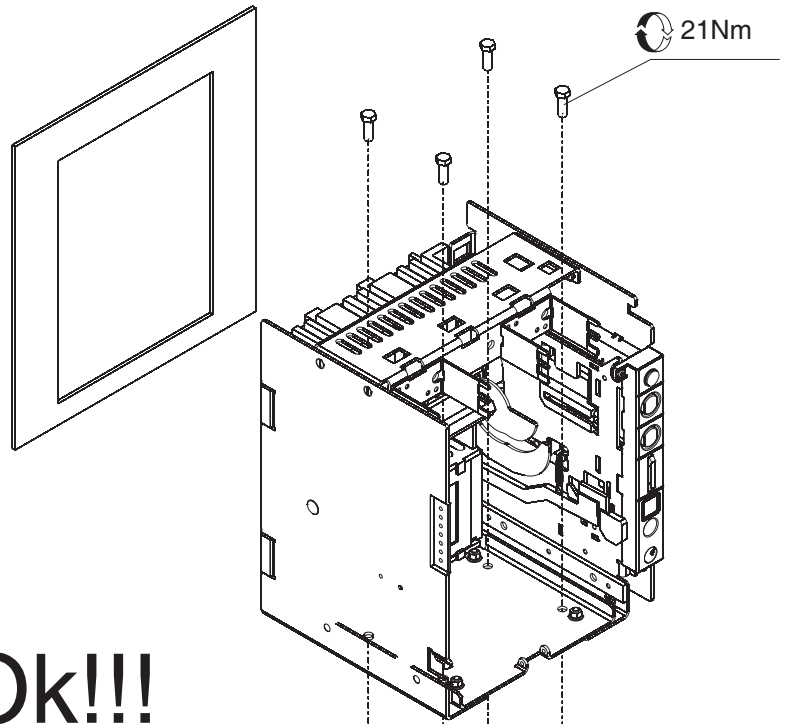
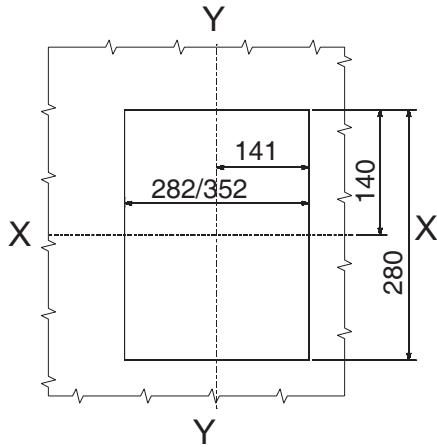
Terminali divaricati parte fissa T7-T7M-X1
 Spread-type terminals, fixed part T7-T7M-X1
 V-förmige Anschlüsse Unterteil T7-T7M-X1
 Prises épanouies partie fixe T7-T7M-X1
 Terminales separadores parte fija T7-T7M-X1



III	3	-	6	6	6
IV	-	4	8	8	8

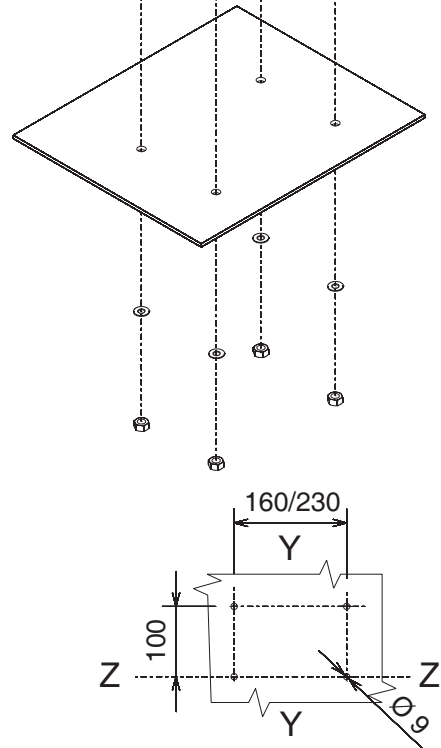
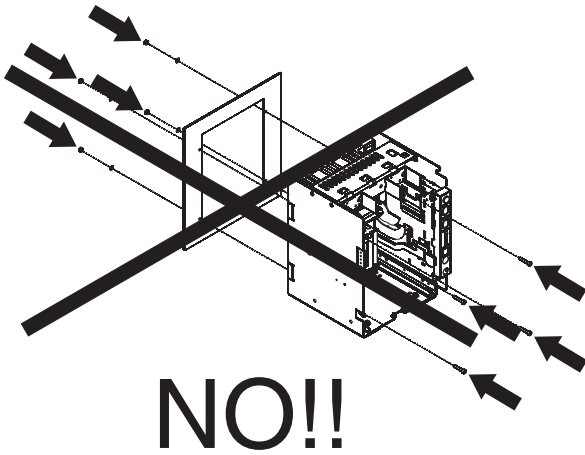


C



Ok!!!

D



ABB

ABB SACE S.p.A.

Via Baioni, 35
24123 Bergamo Italy

Tel.: +39 035 395.111 - Telefax: +39 035 395.306-433

<http://www.abb.com>