

Area of Application:
Table/Wall mounted
Water

Max. working pressure 10 bar
Min. temperature 5°C
Max. temperature 90°C

Details:
Ceramic headwork open/close 180°
3-Zone colour, acc. to EN13792:2002
Swivel
1/2" removable nozzle

Materials in media contact:
Brass, CW614N
Rubber, EPDM
Silicone based lubricant

Mounting:
1/2" nut with locking pins o-ring and washer

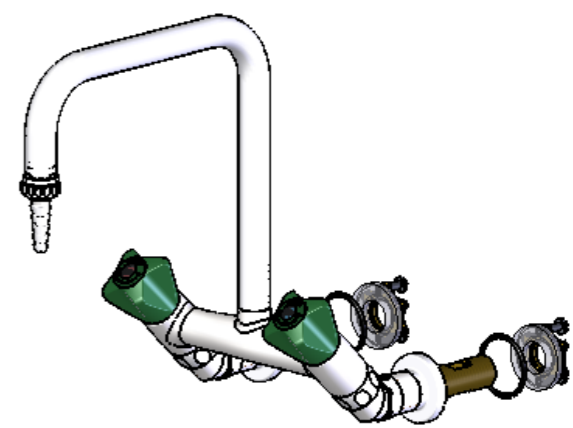
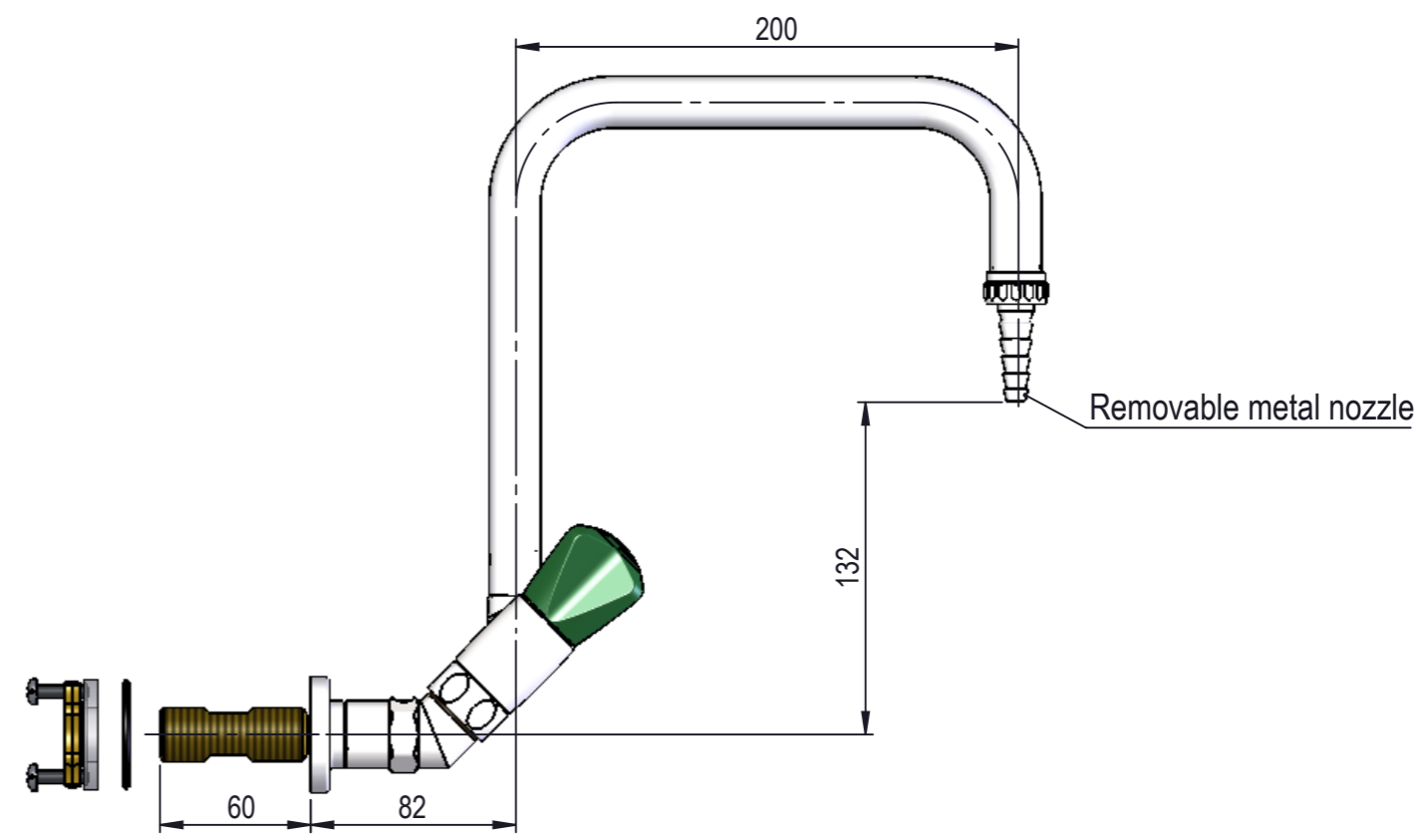
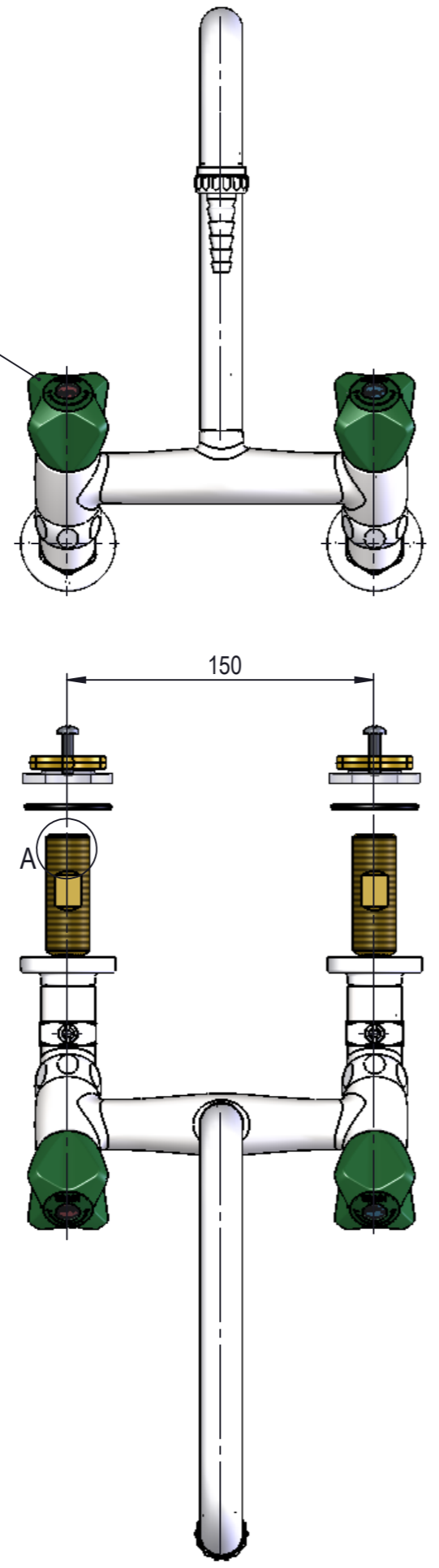
Inlet / outlet connection:
ISO228/1-G1/2"
DIN 12 898, form A, size 1, 1/2" hose nozzle

Metal handle

ISO 228/1-G1/2A

Flat gasket seal
According to EN200
type C

MEDIA CODE XX FOR WATER TWO HANDLE MIXER		
Media	Media description	Media code XX
WPC WPH	Water potable cold / hot	39
WNC WCH	Water non-potable cold / hot	40



Description: 2-Hand.Mix, Table/Wall mounted, 2-Hole, Swivel, ISO228/1-G1/2"						Media: Water
						Comments: 150mm center distance
Drawing type: Customer drawing					Weight: 2.466 Kg	
Rev.	Pos.	Date	TM No.	Design by	Drawn by:	Change:
					BJP	MWA
			Designed by:		Released on TM No.	Date: 09-02-2015
BROEN-LAB		This drawing is our property and cannot be given to a third party, copied or otherwise used without our permission. BROEN-LAB A/S.		Format: A3		Drawing No.: 253606183XX-08