

Technische Daten/ Technical Data

KLUDI FRESHLINE

hand shower 3 S

DN 15

Ref.: 6790005-00WR9

Finishes:

05 chrome

Product description

Manufacturer KLUDI GmbH & Co. KG

Typ: KLUDI FRESHLINE

hand shower 3 S

Ref.: 6790005-00WR9

hand shower 3 S

3 spray pattern

volume/booster/smooth

with cleaning system

flow rate at 3 bar 8 l/min.

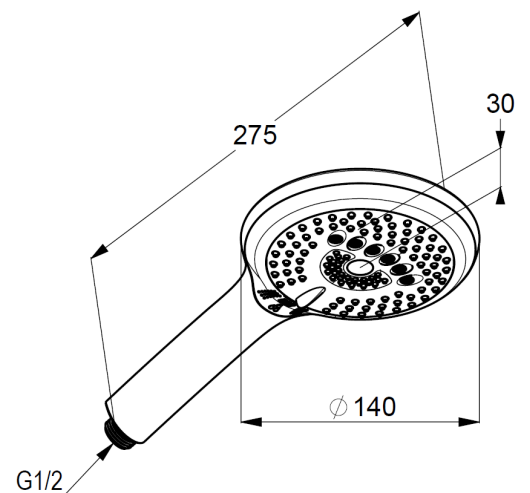
connection G1/2

sieve seal

Produktabbildung/ Product picture



Maßzeichnung/ Dimensional drawing



Durchfluss/ Flow rate

