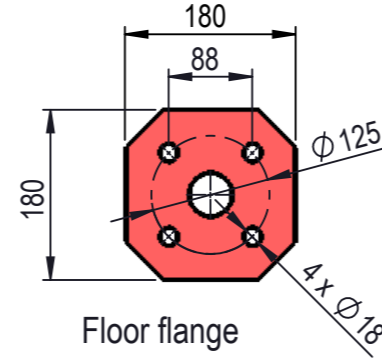
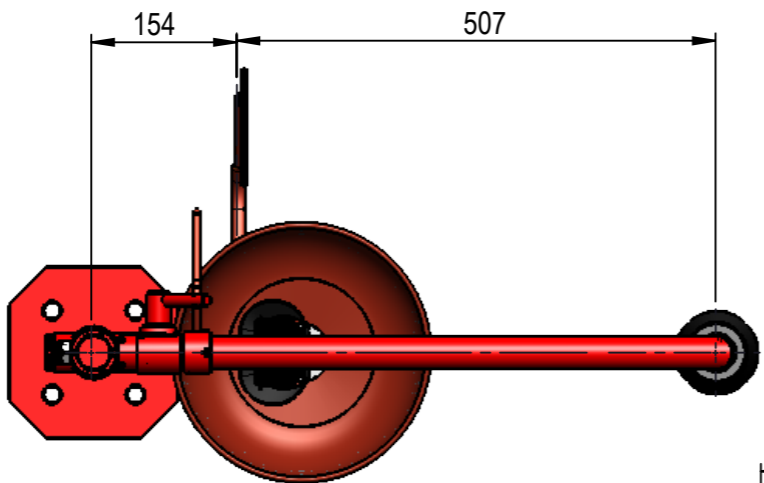
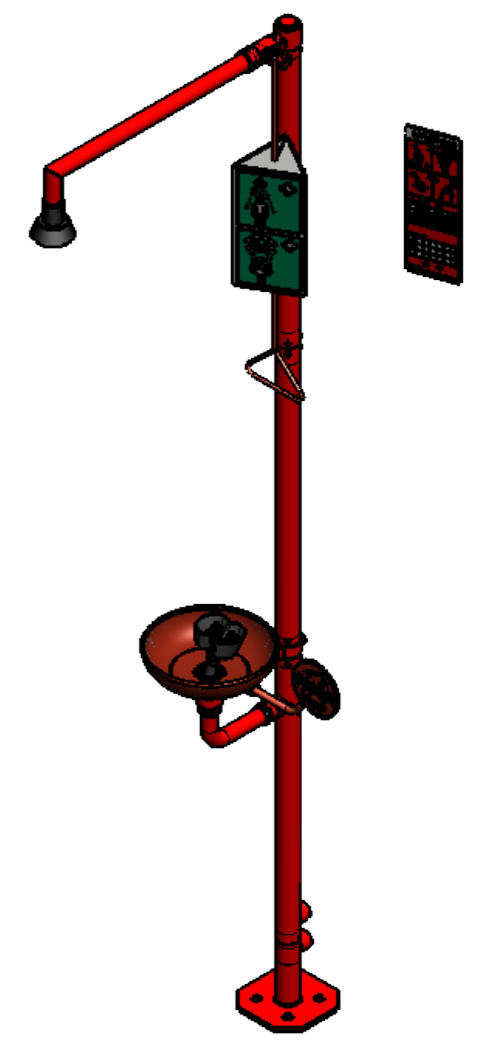


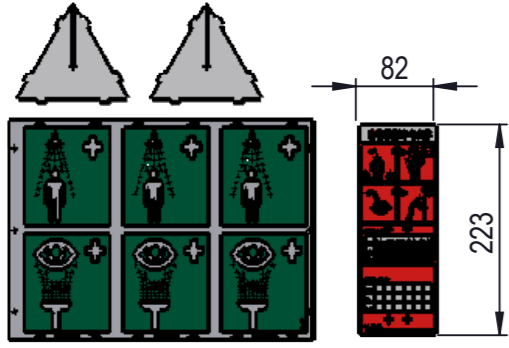
Connection for
handshower:
Male ISO 228-1 G1/2"

Drain outlet:
Female ISO 228-1 G1"

Inlet:
Female ISO 228-1 G1"



Signs Instruction: 17001920



Description:		Body & eye shower with bowl; Freestanding	
Media:		Water	
Material:			
Specification:			
Comments:			
Drawing type:		Customer drawing	Weight: 17.473 Kg
All dimensions made with are inspection dimensions			
Unspecified linear tolerances:		Unspecified angular tolerances:	
Designed by:	Drawn by:	Released on TM No.:	Date:
HEM	HEM	6969	20-04-18
Format:	Drawing No.:		17656009C
A3			

Rev.	Pos.	Date	TM No.	Design by	Drawn by	Change:

This drawing is our property and cannot be given to a third party, copied or otherwise used without our permission. BROEN-LAB A/S

BROEN-LAB

