



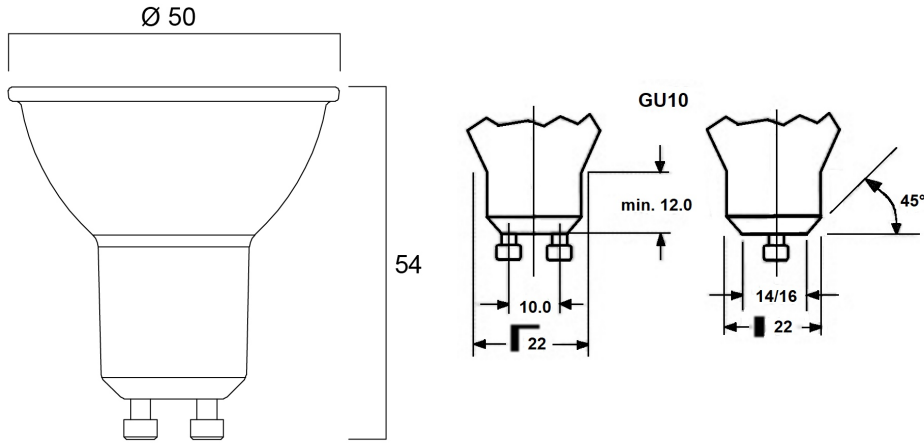
Features

- Ultra-efficient LED GU10 range with the same look and size as traditional GU10 lamp
- Save up to 95% on energy bills compared to halogen GU10 lamps
- Energy Class B and best-in-class lumen efficacy
- Sustainable and eco-friendly solution
- Recreates backlight effect like halogen dichroic GU10 lamps
- Full glass design - means no colours clashing between lamps and fixture
- Last three times longer than the standard LED retrofit lamps
- Remarkable 50,000 hours average rated life – reducing the hassle of frequent replacements
- COOLFIT functionality – ensures overheating and overtemperature protection
- Ideal for everyday lighting in homes, hotels, restaurants and more
- Dimmable

Product Overview

Product name	RefLED Platinum Retro ES50 350LM DIM 840 36 SL
Technology	LED
Cap/Base	GU10
Fixture rating	Open
E-number FI	4741183
Colour temperature (K)	4000
CRI (Ra)	80
Colour Variation Initial (SDCM)	6
Photobiological Risk Group	RG1
Wattage (W)	2.2
IP rating	IP20
Product EAN number	5410288303727
Warranty	5 years

Technical drawings



Data table

GENERAL DATA

Product name	RefLED Platinum Retro ES50 350LM DIM 840 36 SL
Technology	LED
Cap/Base	GU10
Fixture rating	Open
Operating temperature range (°C)	-20°C...+50°C
E-number FI	4741183
Warranty	5 years

OPTICAL DATA

Colour temperature (K)	4000
CRI (Ra)	80
Colour Variation Initial (SDCM)	6
Luminous Intensity (cd)	850
Photobiological Risk Group	RG1

RefLED Platinum Retro ES50 350LM DIM 840 36 SL 0030372

ELECTRICAL DATA

Wattage (W)	2.2
Equivalent watt (W)	50
Primary Supply/Product voltage - min (V)	220
Control gear required	No
Inrush Current (A)	2.6
Inrush Duration (µs)	340
Lamp Energy Label (class)	B
Nominal Frequency (Hz)	50/60Hz

LIFETIME DATA

Lifespan L70 B50	50000
------------------	-------

PHYSICAL DATA

IP rating	IP20
Nominal Product Length (mm)	54
Nominal Product Diameter (mm)	50
Weight (kg)	0.05

PACKAGING

Single packaging type	Carton
Product EAN number	5410288303727
Packaging single width (cm)	6.1
Packaging single depth (cm)	5.1
DUN14 (inner)	25410288303721
Units per inner package	6
Packaging inner length / height (cm)	9.2
Packaging inner width (cm)	16.4
Packaging inner depth (cm)	13.1
DUN14 (outer)	15410288303724
Packaging outer length / height (cm)	20.8

SYLVANIA

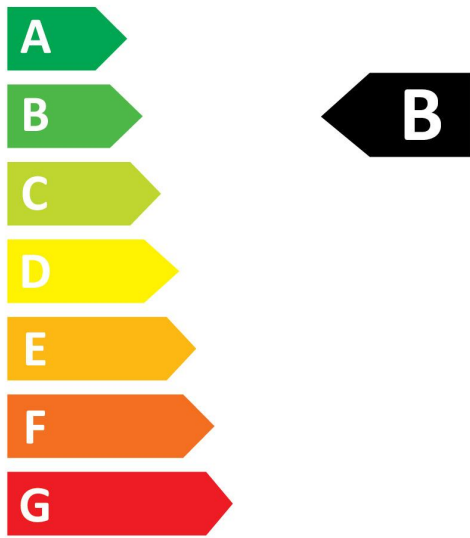
RefLED Platinum Retro ES50 350LM DIM 840 36 SL
0030372

SAFETY DATA

Optimal operating condition (°C)	-20-50
Breakage cleaning instructions	Not applicable
Special purpose lamp	No
Dry applications use only	No
Suitable for household illumination	No
Safety message	Dimmable with approved dimmers

Energy label

 **ENERG** 
SYLVANIA
0030372

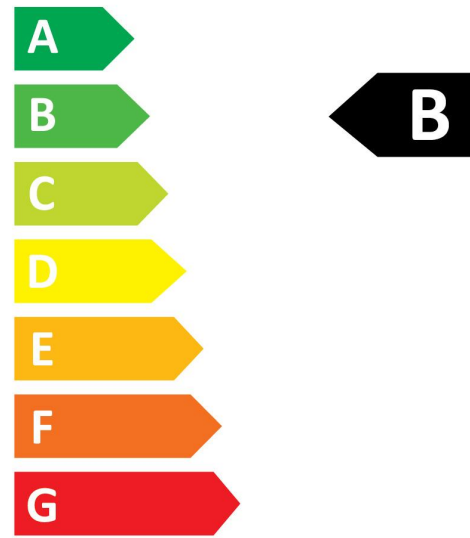


3
kWh/1000h



2019/2015

 **ENERG** 
SYLVANIA
0030372



3
kWh/1000h



2019/2015

Light your world