

28 002 978 Product version from 4/1/2025



- spray head Ø 95mm
- Three settings: COMPACT RAIN, COMPACT SOFT FLOW, COMPACT AQUAPRESSURE FLOW, max. flow rate 6.8 l/min (at 3 bar)
- Function from: 6.8 l/min
- 1/2" connection
- inherently safe from back flow
- with anti-scale system

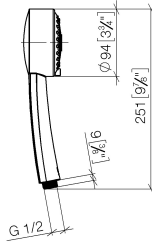
Notes:

- This product can help a building meet the requirements of Green Building Rating Systems, e.g. LEED®, BREEAM®, DGNB

	Platinum	28 002 978-08 0010
	Chrome	28 002 978-00 0010
	Brushed Platinum	28 002 978-06 0010
	Durabrand (23kt Gold)	28 002 978-09 0010
	Brushed Durabrand (23kt Gold)	28 002 978-28 0010
	Brushed Gold (PVD)	28 002 978-37 0010
	Brushed Dark Brass (PVD)	28 002 978-39 0010
	Brushed Bronze (PVD)	28 002 978-42 0010
	Brushed Dark Bronze (PVD)	28 002 978-43 0010
	Brushed Dark Platinum	28 002 978-99 0010

28 002 978 Product version from 4/1/2025

mm [inches]



Codes & Standards

ASME A112.18.1 cUPC DIN 4109 EPA WaterSense

ISO 3822 Ü-Zeichen WaterSense

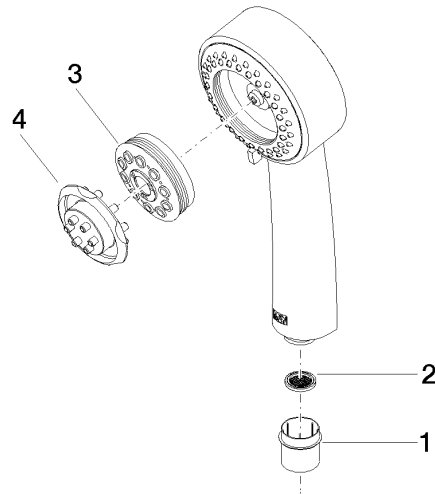


Certificates and sustainability

IAPMO_11777 LGA_18 IAPMO_4976 (

28 002 978 Product version from 4/1/2025

Parts for other finishes can be found here: [Chrome](#)



Spare parts list

No.	Item Number	Name	Quantity used	Delivery time
4	09 30 09 022 90	Spanner -	1.00	14
3	04 12 11 071 00 90	Regulating insert Hand shower adjuster 31 x 191 x 50 mm -	1.00	14
1	09 21 02 115 90	Protective cap Protective cap for hand shower Ø 26 x 25 mm -	1.00	14
2	09 23 01 039 90	Sieve seal Ø 19 x 5,5 mm -	1.00	14