

8

7

6

5

4

3

2

1

D

D

C

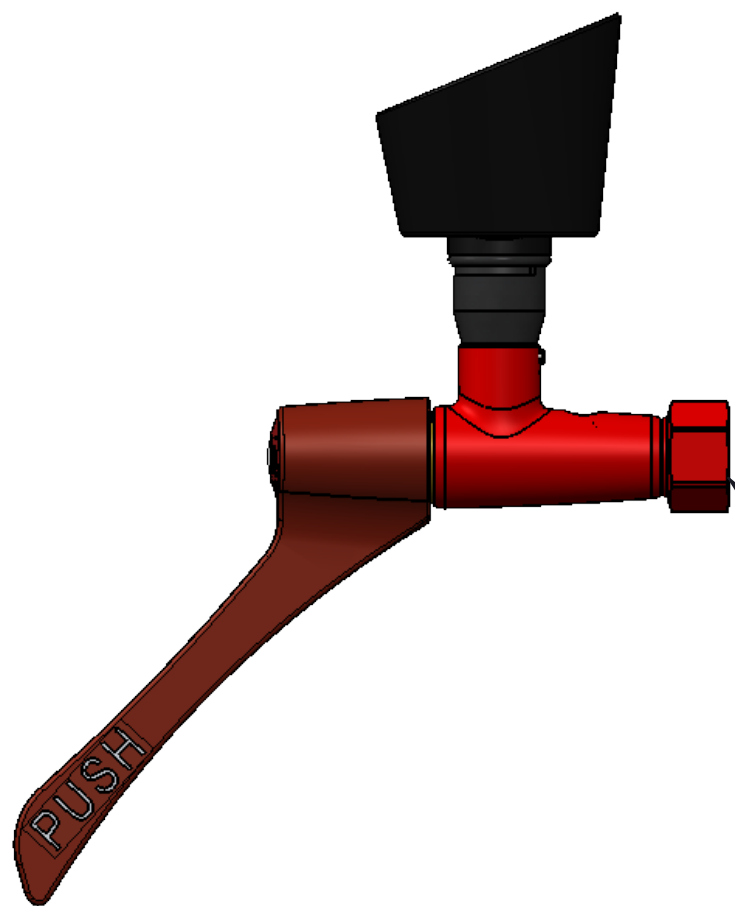
C

B

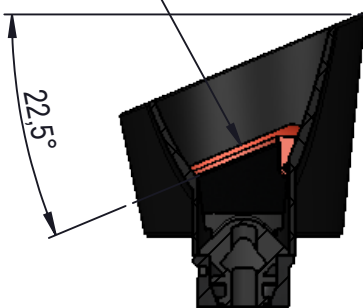
B

A

A



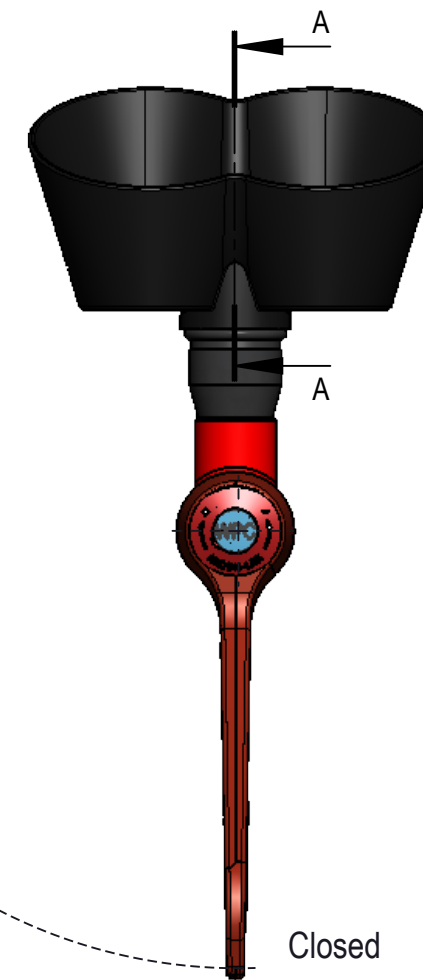
Sprayheads with dust cover



SECTION A-A

Inlet: Female ISO 228/1 G 1/2"

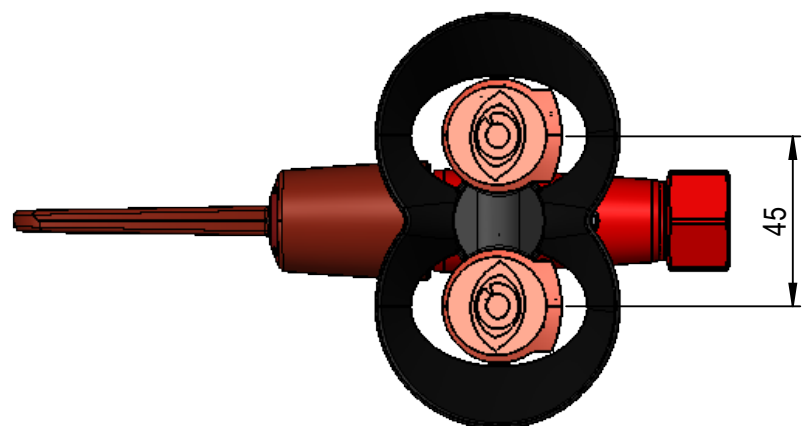
Open



Closed



With Ballofix®



45

Description:		Eye shower; wall mounted	
Media:		Water	
Material:			
Specification:			
Comments:			
Drawing type:		Customer drawing	Weight: 0.551 Kg
All dimensions marked with  are inspection dimensions			
Unspecified liniar tolerances:		Unspecified angular tolerances:	
Designed by:	Drawn by:	Released on TM No.	Date:
HEM	HEM	7643	08-11-19
Format:	Drawing No.:		17565009C
A3			

Rev.	Pos.	Date	TM No.	Design by	Drawn by	Change:

**BROEN-LAB**

This drawing is our property and cannot be given to a third party, copied or otherwise used without our permission. BROEN-LAB A/S

