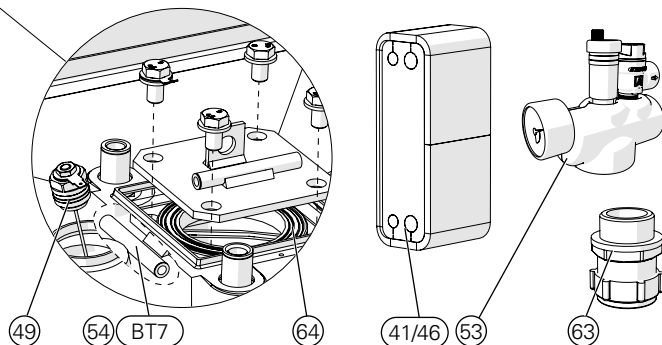
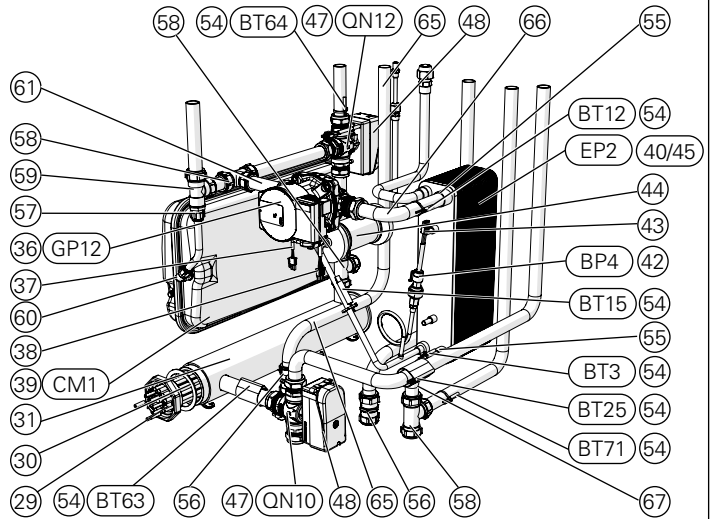
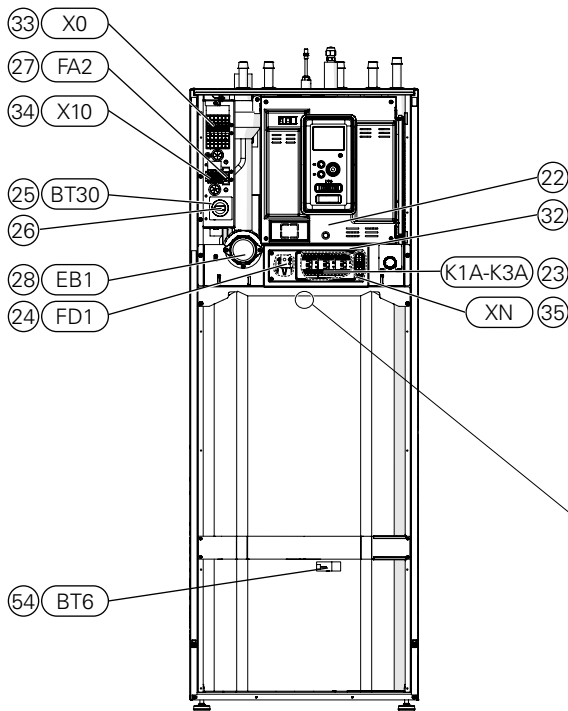
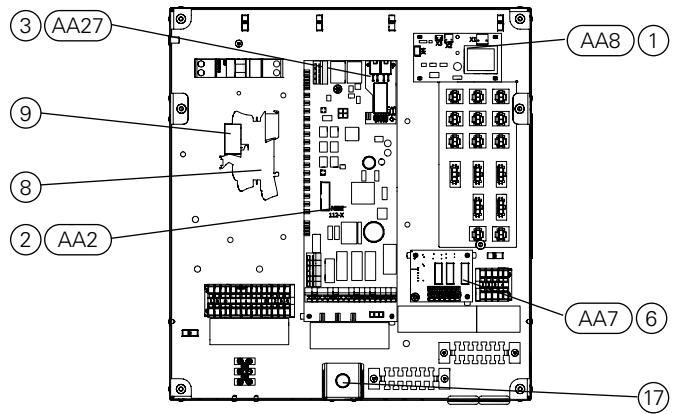
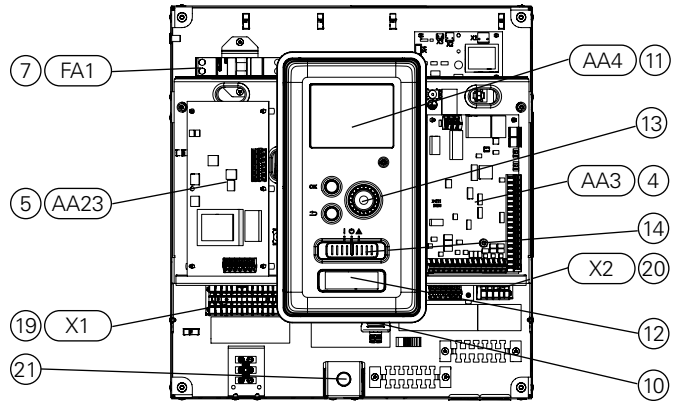
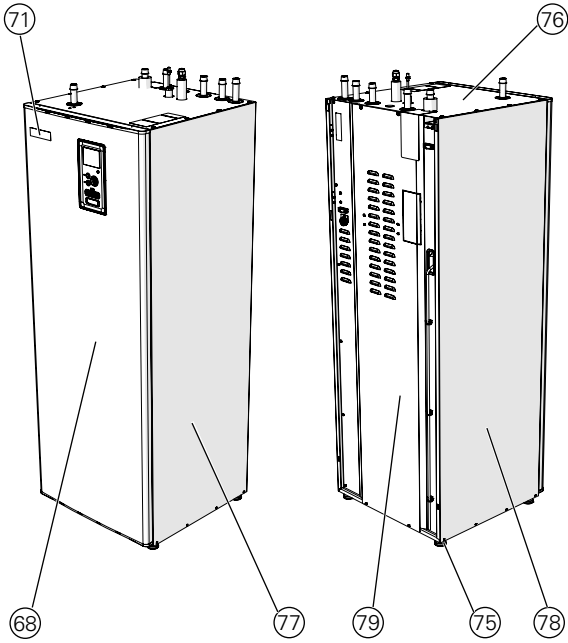


SPARE PARTS



Pos.	Index	Description	Metro SHK 20-200/12	Metro SHK 20-200/6
CONTROL PANEL				
1	818304	TITANIUM ANODE POTENTIOSTAT (AA8)	+	+
2	718543	BASE CARD (AA2)	+	+
3	818168	RELAY CARD (AA27)	+	+
4	518058	INPUT CARD AA3	+	+
5	218552	COMMUNICATION CARD (AA23)	+	+
6	518314	EXTENSION CARD (AA7)	+	+
7	618966	CIRCUIT BREAKER C10 (FA1)	+	+
8	718152	RELAY SLOT 250V/8A/50H	+	+
9	718136	RELAY 12VDC 8A	+	+
10	409038	SMO DISPLAY CABLE	+	+
11	027303	DISPLAY MODULE SMO OEM	+	+
12	036389	USB-COVER SMO OEM	+	+
13	036393	KNOB SMO OEM	+	+
14	036395	SLIDER SMO OEM	+	+
19	218441	TERMINAL BLOCK SMO X1	+	+
20	218444	TERMINAL BLOCK SMO X2	+	+
21	060271	ANODE SIGNAL LIGHT	+	+
22	060272	PANEL COVER SMO R32	+	+
ELECTRIC PANEL / HEATER				
23	418710	CONTACTOR DILEM 10-C (K1A-K3A)	+	+
24	060273	TEMPERATURE LIMITER STB 92-6°C	+	+
25	029850	TEMPERATURE CONTROLLER 5-65°C (BT30)	+	+
26	060274	KNOB REGULATOR	+	+
27	029976	CIRCUIT BREAKER B20 (FA2)	+	+
28	060275	COMPLETE AUXILIARY HEATER OF SHK 20 (EB1)*	+	+
29	060276	IMMERSION HEATER 9kW WITH WIRES	+	+
30	033132	GASKET 2"	+	+
31	060277	HEATER VESSEL SHK R32	+	+
32	060263	R32 CONTACTOR PANEL COVER	+	+
33	818850	SUPPLY TERMINAL BLOCK 230V (X0)	+	+
34	818852	SPLIT TERMINAL BLOCK (X10)	+	+
35	060279	CONTACTOR TERMINAL BLOCK (XN)	+	+
HYDRAULICS / ACCESSORIES / MEASURING				
36	229791	WILO PARA G15 PUMP (GP12)	+	+
37	060278	SIGNAL CABLE OF WILO PARA	+	+
38	060280	POWER SUPPLY CABLE WILO PARA	+	+
39	226480	EXPANSION VESSEL 10L (CM1)	+	+
40	228160	HEAT EXCHANGER 6 kW COMPLETE (EP2)		+
41	069278	INSULATION OF 6kW HEAT EXCHANGER		+
42	618999	PRESSURE SENSOR NSK (BP4)	+	+
43	060281	PRESSURE SENSOR CABLE NSK	+	+
44	424892	DRYING FILTER	+	+
45	228454	HEAT EXCHANGER 9 kW COMPLETE (EP2)	+	
46	069279	INSULATION OF 9KW HEAT EXCHANGER	+	
47	224339	3-WAY VALVE Ø22 (QN10/QN12)	+	+
48	060262	THE ACTUATOR 3-WAY VALVE (QN10/QN12)	+	+
49	216338	TITANIUM ANODE G3/4" L=200	+	+
53	229796	SAFETY GROUP 3BAR	+	+
54	229022	TEMPERATURE SENSOR BT WITH PLUG (BT3, BT6, BT7, BT15, BT12, BT25, BT63, BT64, BT71)	+	+

*the set consists of positions 29, 30, 31 + insulation of the auxiliary heater

Pos.	Index	Description	Metro SHK 20-200/12	Metro SHK 20-200/6
HYDRAULICS - BRASS FITTINGS - PUMP CONNECTION				
55	228453	STRAIGHT CONNECTOR 22X3/4"	+	X
56	228337	STRAIGHT CONNECTOR 22X22	+	+
57	228336	STRAIGHT CONNECTOR 12X1/2"	+	+
58	024220	TFITTING 22X22X22	+	+
59	226486	TFITTING 22X1/2"X22	+	+
60	228335	ELBOW 12X3/8"	+	+
61	229800	PUMP PIPE Ø22	+	+
63	229801	STRAIGHT CONNECTOR 22X1"	+	+
64	033253	FLANGE GASKET Ø83	+	+
65	060159	PIPE AISI Ø22	+	+
66	069280	PIPE EXCHANGER-TANK 9KW	+	X
67	069290	PIPE EXCHANGER-PUMP 9KW	+	X
PRODUCT CONSTRUCTION				
68	228962	FRONT CASE OEM	+	+
71	729029	LOGO METRO THERM	+	+
75	434292	ADJUSTABLE FOOT M12X50	+	+
76	060284	COMPLETE TOP CASE COVER OF SHK R32	+	+
77	060135	COMPLETE RIGHT SIDE CASE	+	+
78	060136	COMPLETE LEFT SIDE CASE	+	+
79	060285	COMPLETE BACK SIDE CASE OF SHK R32	+	+

027862

Metro Ruimtesensor RTS 40M