

## Technische Daten/ Technical Data

KLUDI FRESHLINE  
hand shower 1 S  
DN 15

Ref.:  
6780005-00WR9

Finishes:  
05 chrome

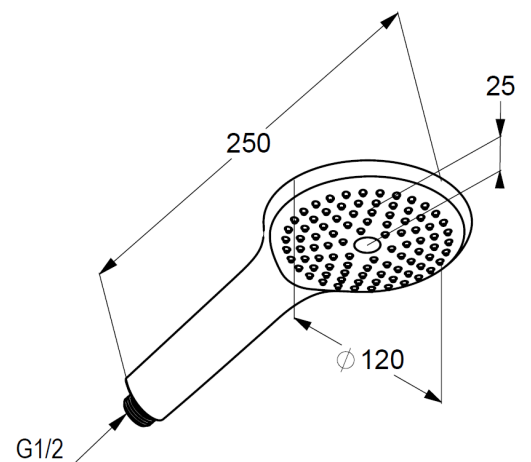
Product description  
Manufacturer KLUDI GmbH & Co. KG  
Typ: KLUDI FRESHLINE  
hand shower 1 S  
Ref.: 6780005-00WR9

hand shower 1 S  
1 spray pattern  
with cleaning system  
flow rate at 3 bar 8 l/min.  
connection G1/2  
sieve seal

### Produktabbildung/ Product picture



### Maßzeichnung/ Dimensional drawing



### Durchfluss/ Flow rate

