

MADISON Showerpipe with shower mixer without hand shower 200 mm - Chrome

MADISON

26 632 360 Product version from 4/1/2025



- rain shower Ø 200 mm
- Rain shower material: metal
- overhead shower: rain flow
- max. rainshower flow 14 l/min
- Function from: 8 l/min
- rain shower with anti-scale system

Control element:

- rotary diverter for fixed-riser shower/hand shower
- metal shower hose 1250mm with integrated anti-twist protection

Technical data:

- shower with fixed riser projection 420mm
- height of fittings up to rain shower (bottom edge) 1009mm
- height of fittings up to top edge of elbow 1180mm
- rosette for wall mounting Ø 70mm
- rosette for shower mixer Ø 60mm
- rosette for shower holder Ø 66mm
- Pipe diameter 20 mm
- gauge 150 mm - 13 mm

Notes:

- This product can help a building meet the requirements of Green Building Rating Systems, e.g. LEED®, BREEAM®, DGNB
- This article does not include a hand shower!**

This article does not include a hand shower!

	Chrome	26 632 360-00
	Brushed Platinum	26 632 360-06
	Platinum	26 632 360-08
	Durabrace (23kt Gold)	26 632 360-09
	Brushed Durabrace (23kt Gold)	26 632 360-28
	Brushed Gold (PVD)	26 632 360-37
	Brushed Dark Brass (PVD)	26 632 360-39
	Brushed Bronze (PVD)	26 632 360-42
	Brushed Dark Platinum	26 632 360-99

Required miscellaneous

	MADISON Hand shower FlowReduce 95 mm - Chrome •Three settings: COMPACT RAIN, COMPACT SOFT FLOW, COMPACT AQUAPRESSURE FLOW, max. flow rate l/min (at 3 bar) •spray head Ø 95mm •Hand shower see page {PAGE}	28 002 978-00 0010
--	--	-----------------------

Recommended miscellaneous

	Elbow 35° - Chrome	28 411 970-00
--	---------------------------	---------------

Required miscellaneous

	MADISON Hand shower 95 mm - Chrome •Three settings: COMPACT RAIN, COMPACT SOFT FLOW, COMPACT AQUAPRESSURE FLOW, max. flow rate l/min (at 3 bar) •spray head Ø 95mm •Hand shower see page {PAGE}	28 002 978-00
--	---	---------------

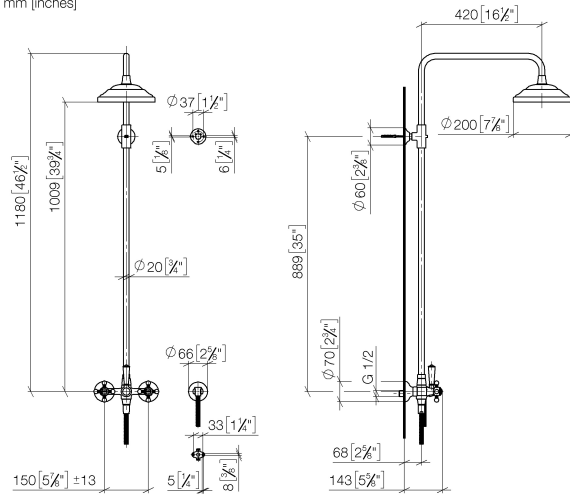
Required miscellaneous

	MADISON Metal hand shower with porcelain insert (white) FlowReduce - Chrome	28 002 970-00 0010
--	--	-----------------------

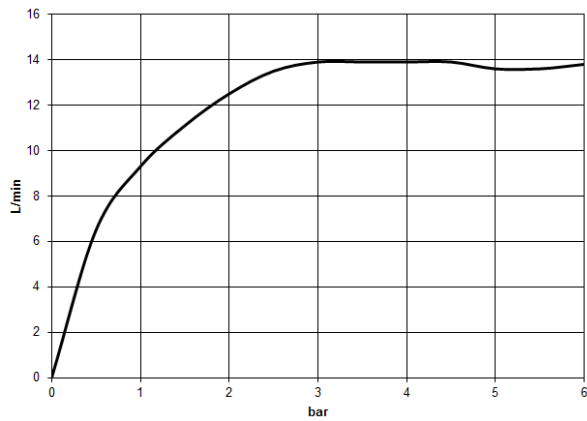
MADISON Showerpipe with shower mixer without hand shower 200 mm - Chrome

MADISON

26 632 360 Product version from 4/1/2025
mm [inches]



Flow rate chart



Codes & Standards

DIN 4109

EN 1717

ISO 3822

Scottish Water
Byelaws

UK Water Supply
Regulations

Ü-Zeichen



MADISON Showerpipe with shower mixer without hand shower 200 mm -
Chrome

MADISON

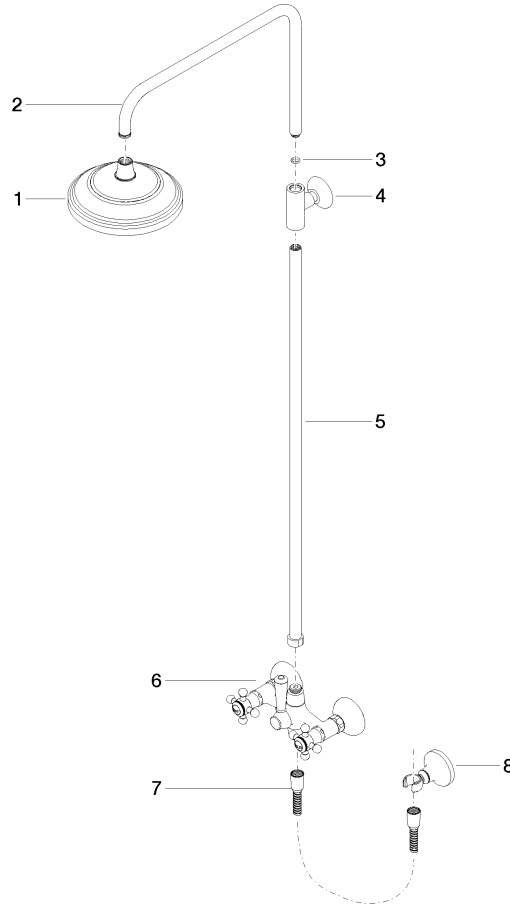
26 632 360 Product version from 4/1/2025

Certificates and sustainability

LGA_29

Belgaqua_21-023-2 WRAS_2204

EPD-DOR-20230287 Belgaqua_25-345-2
-IBA1-EN
Environmental.prod
uct-declarat



Spare parts list

No.	Item Number	Name	Quantity used	Delivery time
	3 90 14 10 011 00 90	O-Ring EPDM 70 11,0 x 2,5 mm -	1.00	14
	5 90 28 22 096 00-00	Pipe 830 mm - Chrome	1.00	20
	1 04 12 05 038 01-00	Rainshower round Ø 200 x 93 mm - Chrome	1.00	20
	6 04 17 10 001 00-00	Housing for spray wall mounting 234 x 147 x 150 mm - Chrome	1.00	-
Spare part can no longer be ordered, please order the replacement item				
	4 90 17 11 033 00-00	Mounting T-piece 135 x 150 x 85 mm - Chrome	1.00	20
	8 28 050 410-00	MADISON Wall bracket - Chrome	1.00	-
Spare part can no longer be ordered, please order the replacement item				
	28050361-00	MADISON Wall bracket - Chrome		
	7 28 104 970-00	Metal shower hose 1/2" x 1/2" x 1250 mm - Chrome	1.00	14
	2 04 28 22 101 20-00	Spout 447,5 x 30 x 297 mm - Chrome	1.00	20