

D

D

C

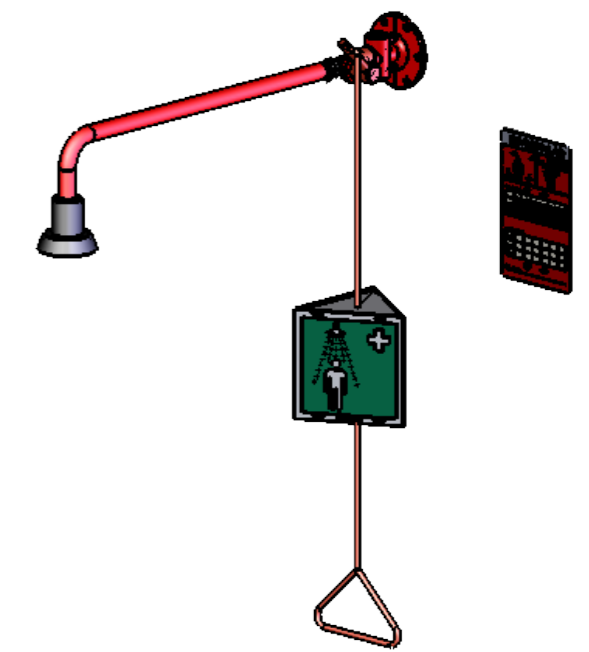
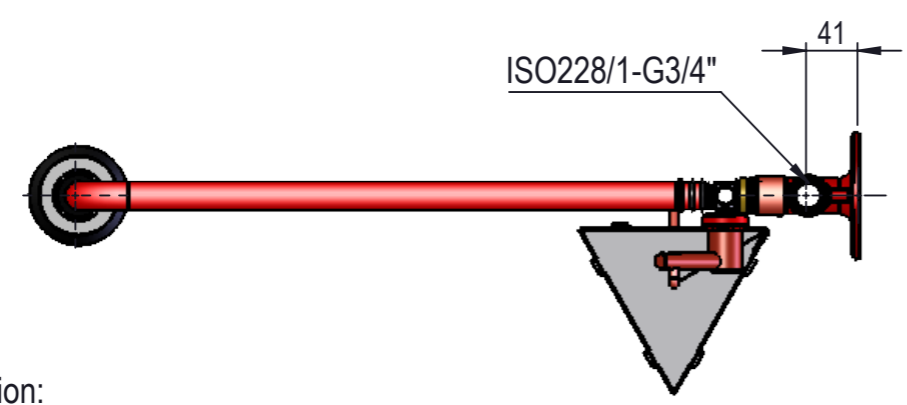
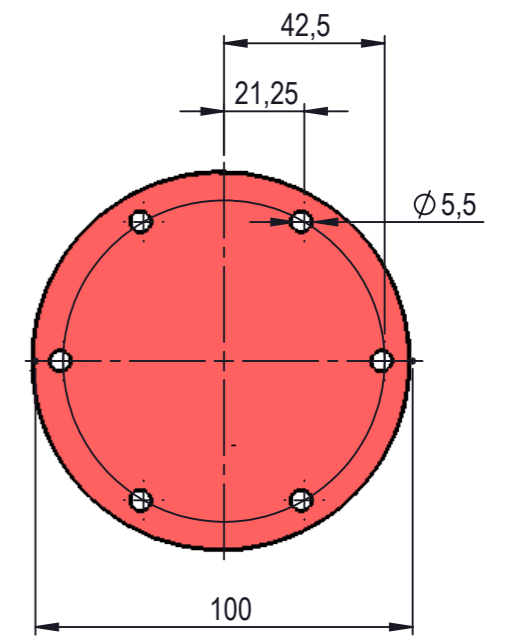
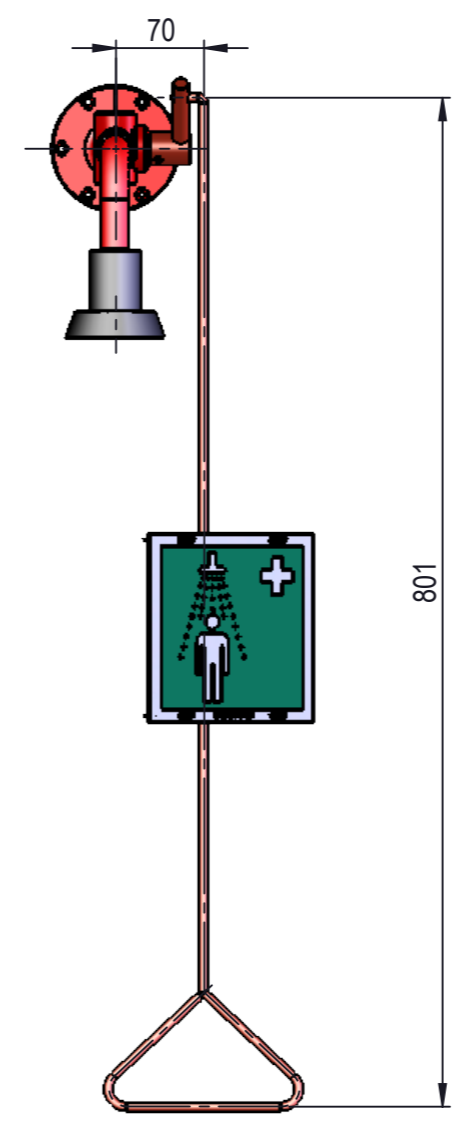
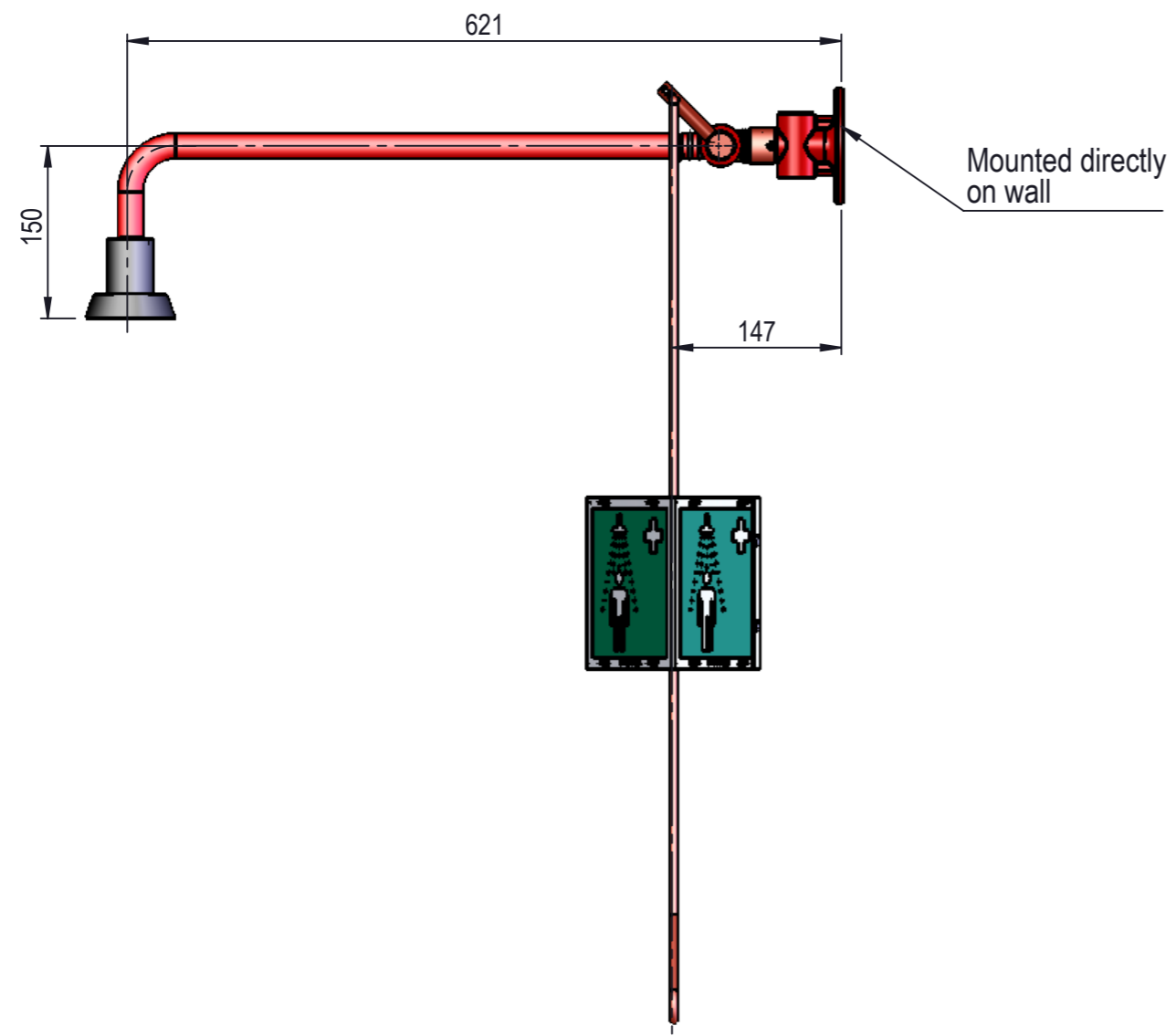
C

B

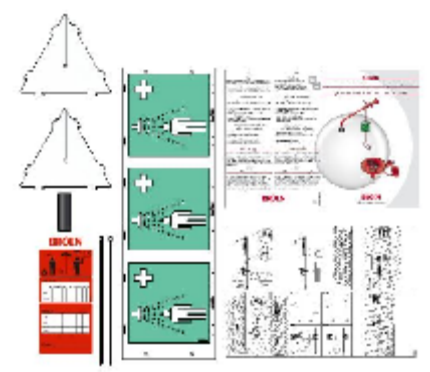
B

A

A



Sign and instruction:
17001910



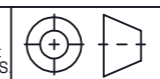
Description:		Body shower, wall mounted	
Media:		Water	
Material:			
Specification:		Recirculating	
Comments:		Legionella	
Drawing type:		Customer drawing	Weight: 2.600 Kg
All dimensions made with are inspection dimensions			
Unspecified linear tolerances:		Unspecified angular tolerances:	

Rev.	Pos.	Date	TM No.	Design by	Drawn by	Change:

Designed by:	Drawn by:	Released on TM No.:	Date:
SHE	ROE	7568	25-06-19

BROEN-LAB

This drawing is our property and cannot be given to a third party, copied or otherwise used without our permission. BROEN-LAB A/S



Format: A3 Drawing No.: 17544009C