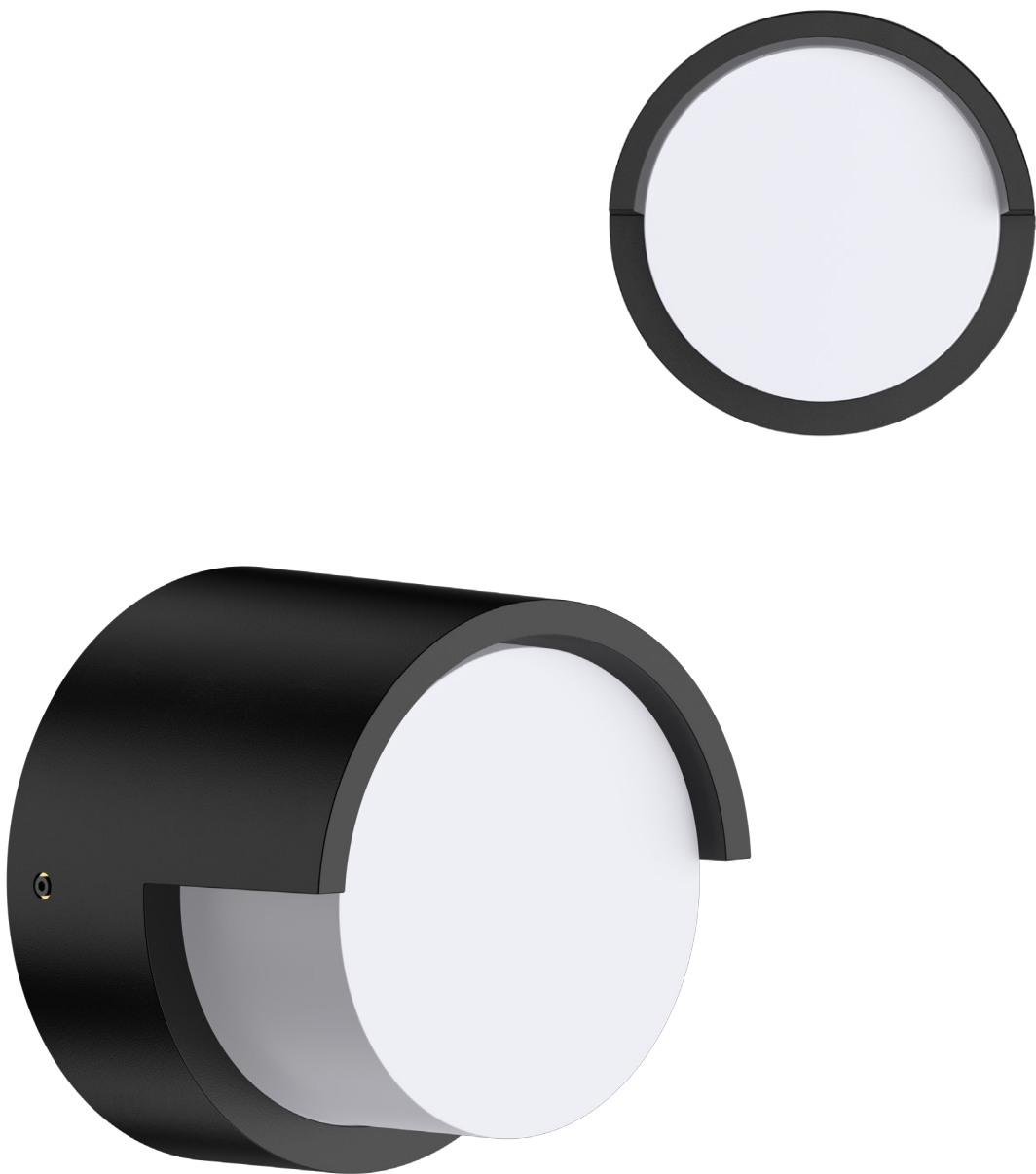
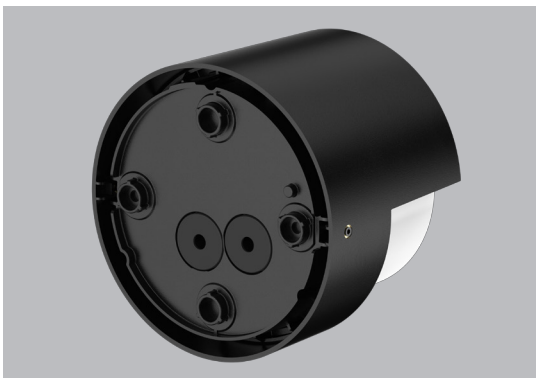
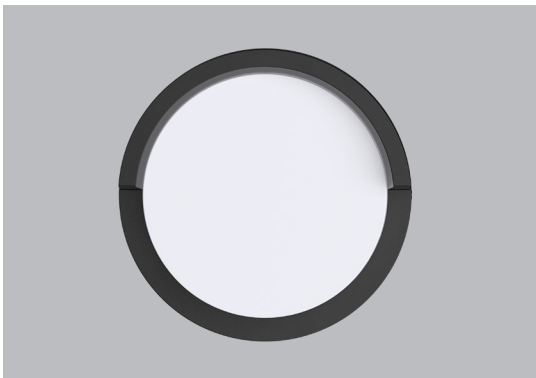
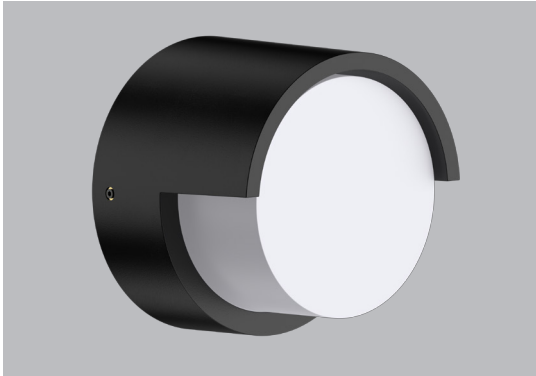


TRONIX

Wall Light



Introduction



This wall lamp is made of PC 94-V0 anti-UV plastic and the diffuser is 94-V2 corrosion-resistant. It has a nice appearance without any protruding screws, the quick installation offers a convenient maintenance. The semi-cylindrical shielding light design produces a sense of lighting layering, highlighting the beautiful appearance of the lamp. Its high protection level (IP65) also expands the application range which is suitable for a variety of indoor and outdoor lighting applications.

- PC lamp body offers a light weight.
- SMD light source with PC cover, which generates a uniform light output.
- The semi-cylindrical shielding light design produces a sense of lighting layering.
- IP65 waterproof.
- Interchangeable CCT(2700K+3000K) with slide switch.
- Flicker free driver.

Application notes

- IP65 for in and outdoor use
- Professional electrician for installation only
- Switch off before installation
- Do not touch when in use
- Keep away from hot steam and corrosive gas

Application Areas

It is designed for both indoor and outdoor lighting applications. It is also widely used for public areas, such as garden, corridors, yard etc.

Certificate

CE RoHS SAA

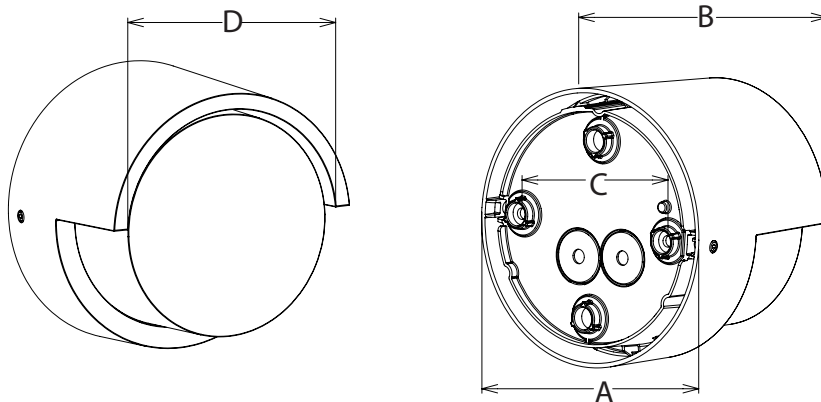
Product Information

Technical Specifications

Code No.	136-250	136-255
Dimension(mm)	Ø125*95mm	Ø160*95mm
Watt(W)	3W	6W
Rated Input Voltage(V)	AC220-240V	
Input Voltage(V)	AC230V	
Light Source	SMD2835	
SDCM	<6	
CCT(K)	2-CCT 2700K + 3000K	
CCT Selection DIP Switch	YES	
Luminous Flux (lm) ±5%	300	600
CRI	≥80	
Beam Angle (°)	120°	
LED Driver	Built-in	
Dimming Option	NO	
Electrical Class	Class II	
Ingress Protection (IP Rating)	IP65	
Impact Resistance (IK Rating)	IK06	
Product Finishing(Base)	Black RAL 9005	
Materials of Optics	PC	
Materials of Housing	PC	
Lifetime (hr)	50,000h	
Glow wire test (°C)	750	
Operating Temp. (°C)	-20°C~45°C	
Storage Temp. (°C)	-20°C~65°C	
Installation	Wall mount	

Measurement

Code	Dimension(mm)				Size(mm)	Product Weight (Kg)		Package weight (Kg)		Carton Size(cm)	Qty/ CTN
	A	B	C	D		N.W/PC	G.W/PC	N.W/CTN	G.W/CTN		
136-250	Ø125	93.5	84	95	Ø125*95	0.37	0.58	4.46	8.5	53*35.5*30	12
136-255	Ø160	93.5	110	95	Ø160*95	0.48	0.75	5.78	10.5	56.5*34.5*29	12



Driver data Sheet

Total load wattage		3W	6W
Output	Output Voltage range	DC60-75V	
	Rated output current	40mA	80mA
	Line Regulation	±5%	
	Setup, Rise Time	≤0.5S	
	Flickering Index	3% NO RISK	
Input	Input Voltage	AC200-240V	
	Rated Input Voltage(V)	230V	
	Frequency	50/60Hz	
	Input Current	≤0.013A	≤0.03A
	Rated Input Current	≤0.013A	≤0.026A
	Power Factor	0.9	
	THD	-	
	Efficiency	≥86%	
	No load wattage	<0.5W	
Protection	Short circuit protection	Pass	
	Over voltage protection	Pass	
	Over temperature protection	Pass	
Safety &EMC	Withstand voltage	-	
	Isolation Resistance	-	
	Inrush Current	IEC/EN61000-4-5(P<25W; L-N:500V,)	
	EMC Emission	EN55015, EN61000-3-2	
	EMC Immunity	EN61000-4-2,3,4,5,6,8,11; EN61547	

Installation

