

4

3

2

1

D

D

C

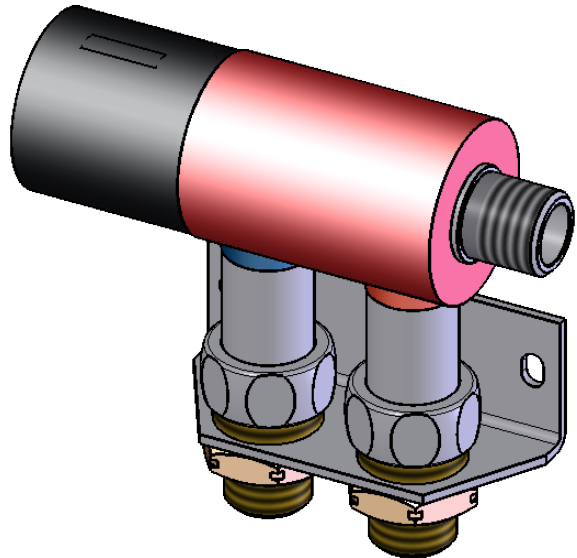
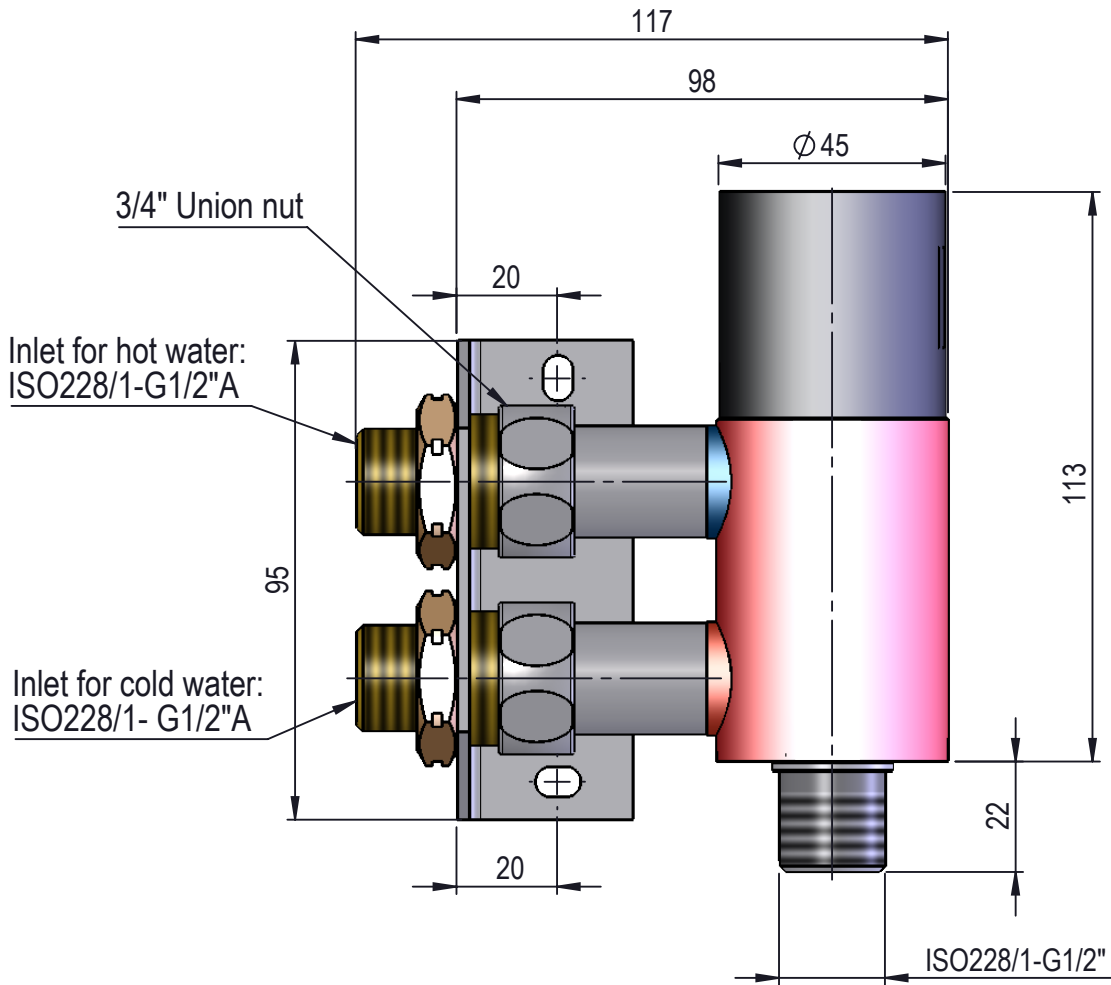
C


B



B

A

A



Description:		Thermostatic mixing valve - G $\frac{1}{2}$ "	
Media:		Hot and cold water	
Material:			
Specification:		Temperature Set at 22°	
Comments:		Special edition for Eyeshowers	
Drawing type:		Assembly drawing	Weight: 0.629 Kg
All dimensions made with  are inspection dimensions			
Unspecified linear tolerances:		Unspecified angular tolerances:	
ISO2768-M		ISO2768-M	
Designed by:	Drawn by:	Released on TM No.	Date:
ILN	ILN	3336	03-02-20
Format:	Drawing No.:		1714003
A4			

Rev.	Pos.	Date	TM No.	Design by:	Drawn by:	Change:
BROEN-LAB						
This drawing is our property and cannot be given to a third party, copied or otherwise used without our permission. BROEN-LAB A/S.						
						

4

3

2

1