

TRONIX
guided by light

Ceiling Light Surface Mounted



Introduction

This is a nice design cube downlight, clean outlook without any screws. It adopts high lumen COB LED light source with a high CRI of >95, available as Dim to Warm version (2000K~3000K). The aluminum housing provides a great thermal management, which ensures a long lifespan. The luminaire is tilted 23° in all directions (360°), perfectly meet the demands of different lighting angle. Slide mounting design make an easier installation and maintenance.

Features

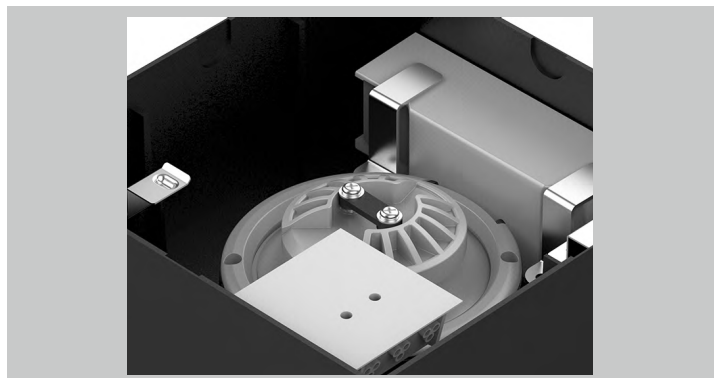
- Quick install: fast connector on bracket, slide mounting design make an easier installation.
- Gyro design in all direction 360°.
- Dim to warm 2000-3000K.
- CRI97, Dim-to-Warm version.
- Flicker free internal driver.
- Triac dimming.

Application Areas

It is designed for general lighting applications in hotel, home, office, shop etc. It is also widely used for public areas such as stairway, lobby, reception, corridors etc.

Application notes

- IP20 for indoor use only
- Professional electrician for installation only
- Switch off before installation
- Do not touch when in use
- Keep away from hot steam and corrosive gas



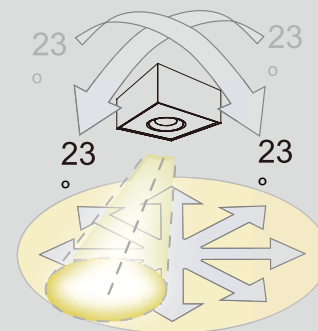
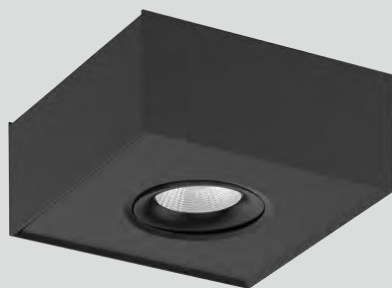
Certificate

CE RoHS SAA

Product Information

Technical Specifications

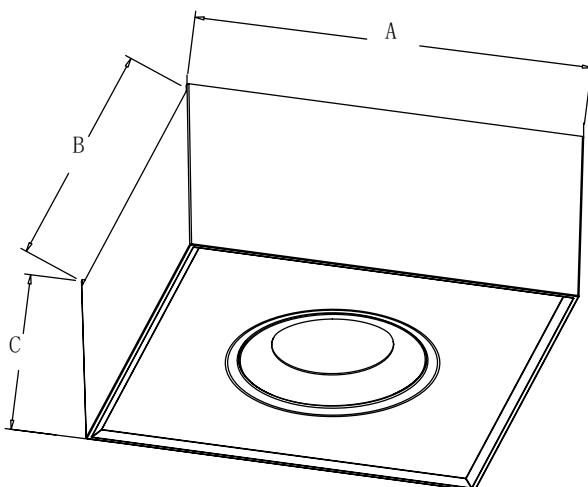
Code No.	136-232
Dimension(mm)	135x135x60
Cutout (mm)	-
Watt(W)	8W
Rated Input Voltage(V)	AC230V
Input Voltage(V)	AC200-240V
LED Module Input	DC33-38V
Light Source	COB
SDCM	<6
CCT(K)	2000-3000K
CCT Selection DIP Switch	No
Luminous Flux (lm) ±5%	350-450
CRI	≥90-97
Beam Angle (°)	60°
UGR	<19
LED Driver	Built-in
Dimming	Triac
Sensor	-
Emergency Kits	-
Electrical Class	Class I
Ingress Protection (IP Rating)	IP20
Impact Resistance (IK Rating)	IK02
Product Finishing(Base)	Black RAL 9005
Materials of Optics	PMMA(Lens)
Materials of Housing	Aluminum
Lifetime (hr)	50,000h
Glow wire test	750°C
Operating Temp.	-20°C ~ 40°C
Storage Temp.	-20°C ~ 65°C
Installation	Surface mount



Tilt 23° in all directions(360°)

Driver Datasheet (Triac Dimmable)

Total load wattage		8W
Output	Output Voltage range	30-40VDC
	Rated output current	180mA
	Line Regulation	±5%
	Setup, Rise Time	<1S
	Flickering Index	<5% (LOW RISK)
Input	Input Voltage	200VAC-240VAC
	Rated Input Voltage(V)	AC230V
	Frequency	50HZ
	Input Current	<0.05A
	Rated Input Current	0.04A
	Power Factor	0.9
	THD	<20% @ 230V
	Efficiency	>80%
	No load wattage	≤1W
Protection	Short circuit protection	Constant current limiting, recovers automatically after fault condition is removed
	Over voltage protection	Shut down o/p voltage
	Over temperature protection	Shut down o/p voltage, recovers automatically after temperature goes down
Safety &EMC	Withstand voltage	I/P-FG:1.6KVac,<5mA 60S;
	Isolation Resistance	I/P-O/P: 500VDC, ≥100M Ω
	Surge	IEC/EN61000-4-5(P<25W, L-N:500V, L/N-PE:1KV)
	EMC Emission	EN55015, EN61000-3-2
	EMC Immunity	EN61000-4-2,3,4,5,6,8,11; EN61547



Measurement

Code	Dimension(mm)			Size(mm)	Product Weight (Kg)		Package weight (Kg)		Carton Size(cm)	Qty/CTN
	A	B	C		N.W/PC	G.W/PC	N.W/CTN	G.W/CTN		
DL259-8W-D	135	135	60	135*135*60	0.58	0.63	15.12	16.4	57.5*37.5*39	24

Installation Procedure

■ Screw surface mounted installation

