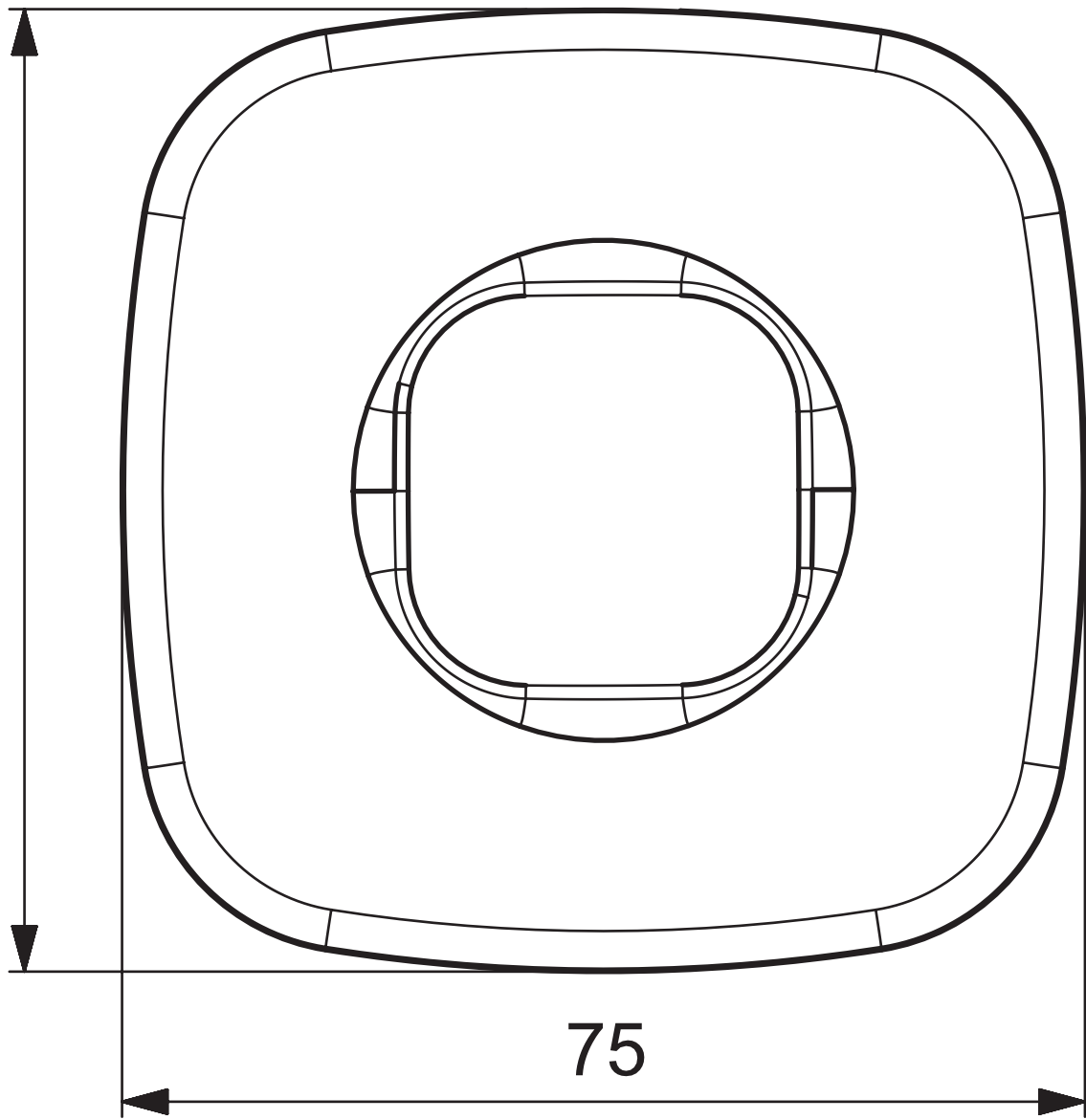


75



56-65

