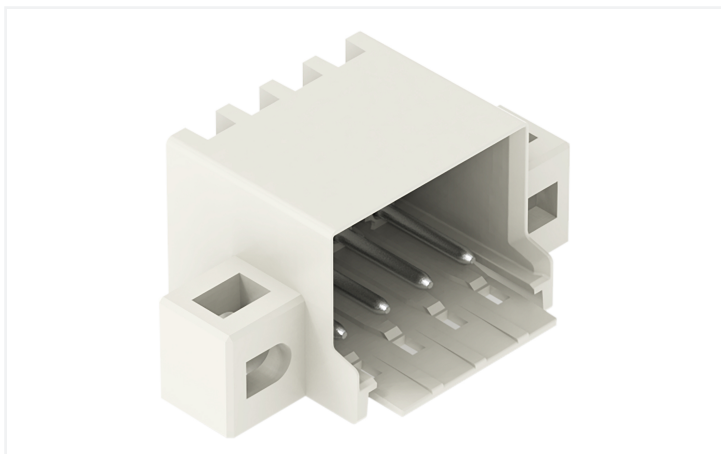


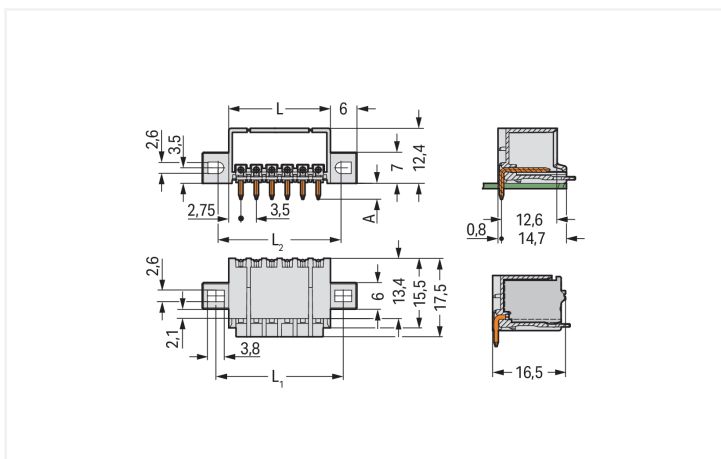
# Data Sheet | Item Number: 2091-1424/205-000

THR male header; 1.0 mm Ø solder pin; angled; clamping collar; Pin spacing 3.5 mm; 4-pole; light gray

<https://www.wago.com/2091-1424/205-000>



Color: ■ light gray



Dimensions in mm

$L = (\text{pole no.} \times \text{pin spacing}) + 2 \text{ mm}$   
 $L_1 = (\text{pole no.} \times \text{pin spacing}) + 7.8 \text{ mm}$   
 $L_2 = (\text{pole no.} \times \text{pin spacing}) + 6.8 \text{ mm}$   
 $A = 3.6 \text{ mm}$  THT solder pin  
 $A = 2.4 \text{ mm}$  THR solder pin

Male connector, 2091 Series, with 3.5 mm pin spacing

Our male connector (item number 2091-1424/205-000) ensures effortless electrical installations. The item's dimensions are (28 x 14.8 x 17.5) mm (width x height x depth).

The contact surface is coated with tin. THR is used to solder the pcb connector.

## Notes

## Safety Information

The **picoMAX® Pluggable Connection System** includes connectors without breaking capacity in accordance with DIN EN 61984. When used as intended, these connectors must not be connected/disconnected when live or under load. When used as intended, these connectors must not be connected/disconnected when live or under load. The circuit design should ensure header pins, which can be touched, are not live when un-mated.

## Variants:

Direct marking  
Tape-and-reel packaging  
Other versions (or variants) can be requested from WAGO Sales or configured at <https://configurator.wago.com/>.

## Electrical data

| Ratings per                     | IEC/EN 60664-1 |        |        | Approvals per | UL 1059   |   |       |
|---------------------------------|----------------|--------|--------|---------------|-----------|---|-------|
|                                 | III            | III    | II     |               | Use group | B | C     |
| Oversvoltage category           | III            | III    | II     | Use group     | B         | C | D     |
| Pollution degree                | 3              | 2      | 2      | Rated voltage | 300 V     | - | 300 V |
| Nominal voltage                 | 160 V          | 160 V  | 320 V  | Rated current | 10 A      | - | 10 A  |
| Rated impulse withstand voltage | 2.5 kV         | 2.5 kV | 2.5 kV |               |           |   |       |
| Rated current                   | 10 A           | 10 A   | 10 A   |               |           |   |       |

## Connection Data

|                            |   |                     |
|----------------------------|---|---------------------|
| Total number of potentials | 4 | <b>Connection 1</b> |
| Number of connection types | 1 | Pole number         |
| Number of levels           | 1 | 4                   |

## Physical data

|                                    |                          |
|------------------------------------|--------------------------|
| Pin spacing                        | 3.5 mm / 0.138 inches    |
| Width                              | 28 mm / 1.102 inches     |
| Height                             | 14.8 mm / 0.583 inches   |
| Height from the surface            | 12.4 mm / 0.488 inches   |
| Depth                              | 17.5 mm / 0.689 inches   |
| Solder pin length                  | 2.4 mm                   |
| Solder pin diameter                | 1 mm                     |
| Plated through-hole diameter (THR) | 1.2 <sup>(+0.1)</sup> mm |

## Mechanical data

|   |   |
|---|---|
| Variable coding                         | Yes                                     |
| Mounting type                           | Mounting flange                         |
| Mounting type                           | Feed-through mounting<br>Panel mounting |
| Anti-rotation protection                | Yes                                     |
| Suitable for through-panel applications | Yes                                     |

### Plug-in connection

|                                      |                     |
|--------------------------------------|---------------------|
| Contact type (pluggable connector)   | Male connector/plug |
| Connector (connection type)          | for PCB             |
| Mismating protection                 | No                  |
| Plugging without loss of pin spacing | Yes                 |
| Mating direction to the PCB          | 0°                  |
| Locking of plug-in connection        | Locking latch       |

### PCB contact

|             |     |
|-------------|-----|
| PCB contact | THR |
|-------------|-----|

### Material data

|                                    |  |
|------------------------------------|--|
| Note (material data)               | <a href="#">Information on material specifications can be found here</a> |
| Color                              | light gray   |
| Material group                     | I  |
| Insulation material (main housing) | Polyphthalamide (PPA GF)   |
| Flammability class per UL94        | V0   |
| Contact material                   | Electrolytic copper (E <sub>Cu</sub> )                                   |
| Contact Plating                    | Tin  |
| Fire load                          | 0.049 MJ   |
| Weight                             | 2 g  |
| MSL per J-STD 020D                 | 1  |

### Environmental requirements

|                         |                 |
|-------------------------|-----------------|
| Limit temperature range | -60 ... +100 °C |
| Processing temperature  | -35 ... +60 °C  |

### Commercial data

|                       |               |
|-----------------------|---------------|
| PU (SPU)              | 200 pcs       |
| Packaging type        | Box           |
| Country of origin     | DE            |
| GTIN                  | 4050821396314 |
| Customs tariff number | 85366930000   |

### Product Classification

|             |                      |
|-------------|----------------------|
| UNSPSC      | 39121409             |
| eCl@ss 10.0 | 27-44-04-02          |
| eCl@ss 9.0  | 27-44-04-02          |
| ETIM 9.0    | EC002637             |
| ETIM 10.0   | EC002637             |
| ECCN        | NO US CLASSIFICATION |

**Environmental Product Compliance**

|                        |                         |
|------------------------|-------------------------|
| RoHS Compliance Status | Compliant, No Exemption |
|------------------------|-------------------------|

**Approvals / Certificates**

**General approvals**



| Approval                              | Standard  | Certificate Name |
|---------------------------------------|-----------|------------------|
| CB<br>DEKRA Certification B.V.        | IEC 61984 | NL-89884         |
| CSA<br>CSA Group                      | C22.2     | 2362521          |
| KEMA/KEUR<br>DEKRA Certification B.V. | EN 61984  | 71-129873        |
| UR<br>Underwriters Laboratories Inc.  | UL 1059   | E45172           |

**Downloads**

**Environmental Product Compliance**

| Compliance Search                                     |                   |
|---|-------------------|
| Environmental Product Compliance<br>2091-1424/205-000 | <a href="#">↓</a> |

**Documentation**

| Additional Information |            |                   |                   |
|------------------------|------------|-------------------|-------------------|
| Technical Section      | 03.04.2019 | pdf<br>2027.26 KB | <a href="#">↓</a> |
|                        |            | pdf<br>611.20 KB  | <a href="#">↓</a> |

**CAD/CAE-Data**

| CAD data                          |                   |
|-----------------------------------|-------------------|
| 2D/3D Models<br>2091-1424/205-000 | <a href="#">↓</a> |

| CAE data                          |                   |
|-----------------------------------|-------------------|
| ZUKEN Portal<br>2091-1424/205-000 | <a href="#">↓</a> |

| PCB Design   |                   |
|--|-------------------|
| Symbol and Footprint<br>via SamacSys<br>2091-1424/205-000        | <a href="#">↓</a> |
| Symbol and Footprint<br>via Ultra Librarian<br>2091-1424/205-000 | <a href="#">↓</a> |

## 1 Compatible Products

### 1.1 System counterpart

#### 1.1.1 Female connector/socket



**Item No.:** [2091-1124](#)

1-conductor female connector; push-button; Push-in CAGE CLAMP®; 1.5 mm<sup>2</sup>; Pin spacing 3.5 mm; 4-pole; 1,50 mm<sup>2</sup>; light gray

## 1.2 Optional Accessories

### 1.2.1 Coding

#### 1.2.1.1 Coding



**Item No.:** [2091-1610](#)

Coding key carrier; suitable for 3.5 mm pin spacing; orange

## Installation Notes

### Coding



Coding a male header (via coding key carrier and two keys for male header, see symbol).