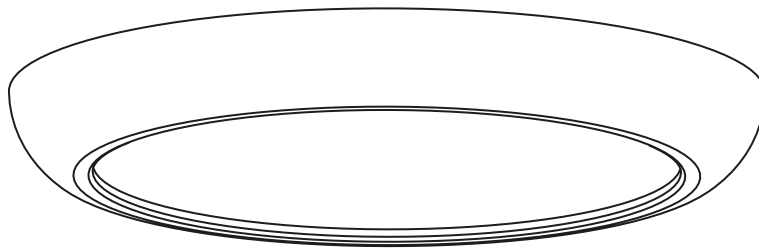




Read these instructions & save for future use

## Ceiling light | 18W | 3-CCT | recessed/surface mounted



Article number **136-221**

Brand **Tronix Lighting**

Type **Ceiling lighting**

Contents of this product **1x 18W ceiling light 3-CCT**

Technical datasheet **Digitally available  
on our webshop**



*View instructions and  
technical data also on  
our website*

**TRONIX**



## Before first use

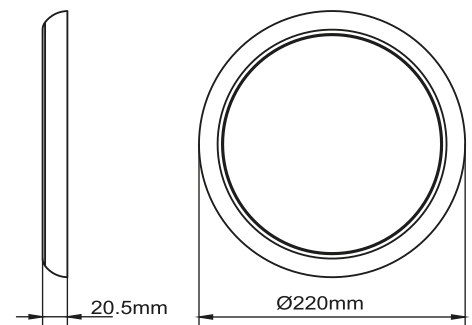
Before getting started with this product, it is advisable to check the order completeness and any damage. If this is the case, please contact Tronix Lighting.

## Description

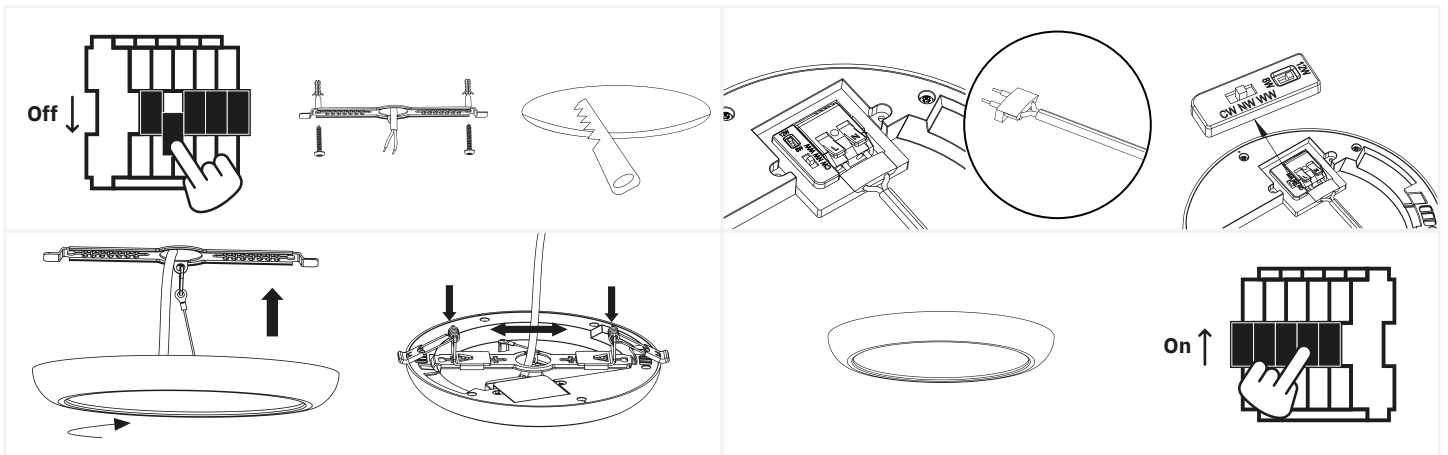
This multifunctional ceiling light is not only very strong, but also works as both surface-mount and recessed fixture. And thanks to the pre-settable power (12W or 18W) and variable light color (3000K, 4000K or 6000K), you always have the perfect light experience.

### Features

- To be hung as surface mounted using the mounting bracket;
- To be fixed as recessed using two adjustable clamping springs (12 to 20 cm).



## Installation



1. Turn off the power and remove the product and associated parts from the packaging. For direct mounting to the ceiling, it is recommended to attach the metal bracket with screws. For clamped installation, you should use a hole in desired size;
2. Place the silicone cover over the wiring and attach it to the designated spot on the lamp. Determine the power and light color using the knobs on the back of the lamp;
3. Turn the lamp counterclockwise against the bracket to secure it to the ceiling. For clamped installation, you need to press the brackets to size and then insert them through the hole. The brackets will clamp automatically;
4. Check the complete installation. If everything is in order, you can reactivate the power.



## Safety

Safety is a top priority at Tronix Lighting. Therefore, we heartily recommend that you follow the following steps closely:

- Keep this manual carefully for future reference;
- Choose a qualified electrician while installing, maintaining or inspecting this product;
- Never look directly into a light source to avoid possible eye damage;
- Ensure that the respective power group is always on non-active when the product is connected;
- Use only recommended combinations (LED drivers, controllers or dimmers) to avoid injury or damage to the product;
- The light source of this light is not replaceable. Because of this, you must replace the entire fixture towards the end of its lifespan and it is not recommended to open it.

## Technical problems and repair

Should a product not work properly after installation, or if the product exhibits problems over time, it is advisable to check the following elements:

- Check the wiring and installation of your product;
- Check for the presence of interfering elements such as dust, water or other electronics;
- If possible, try disconnecting the product and testing it in another location to rule out a problem at the location;
- Should you be dealing with a WIFI-based product, check and reset your router's settings.

Should the product still not work after testing, it is recommended to send it in for inspection and/or repair. To do so, please contact Tronix Lighting using nearby details and proof of purchase (packing slip).



CARE



SHARE



CONNECT

### Supplier:

Tronix Lighting B.V

Vluchtoord 41  
5406 XP Uden, Netherlands

+31 (0)413 330 380  
sales@tronixlighting.com

## Terms and symbols (as relevant to product)



The **CE mark** indicates that this product complies with EU regulations on safety, health and environmental protection;



The **WEEE symbol** stands for "Waste Electrical and Electronic Equipment Regulation," a directive on the collection, recycling and recovery of electronic waste;



The **Class II symbol** indicates that this product is double insulated;

- The product has an **IP44 rating**. This means that the product offers protection against objects larger than 1 mm and is splash-proof (10 l/min), regardless of the angle.