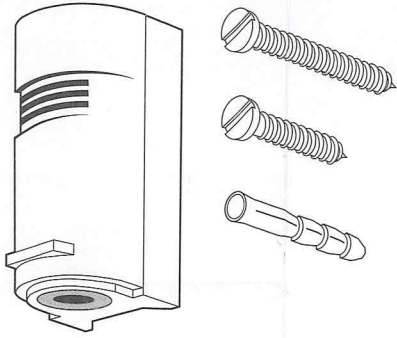
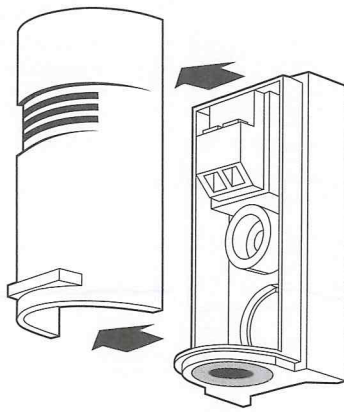


OUTSIDE-SENSOR

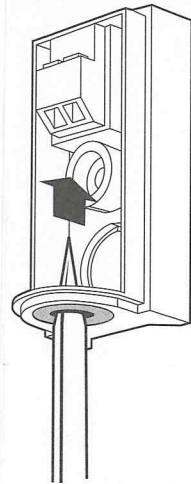
1



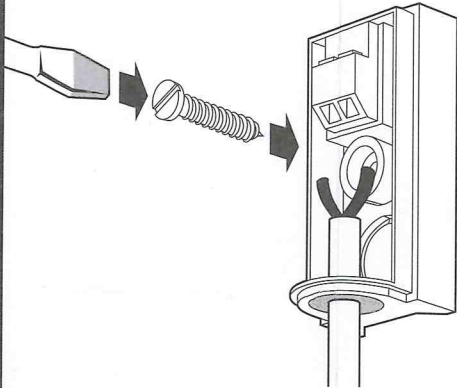
2



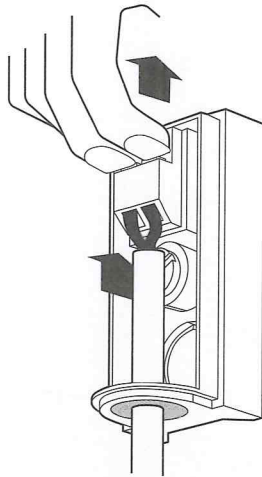
3



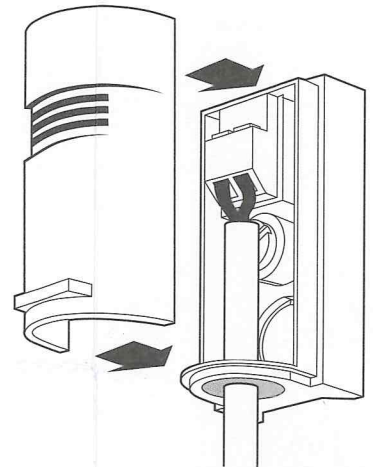
4



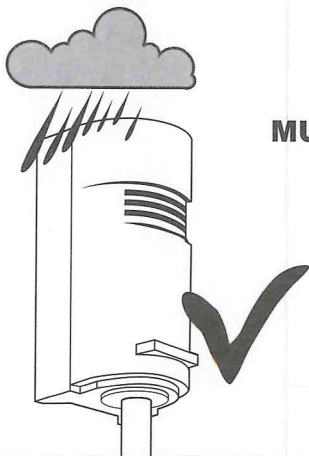
5



6

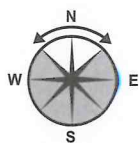


CAUTION

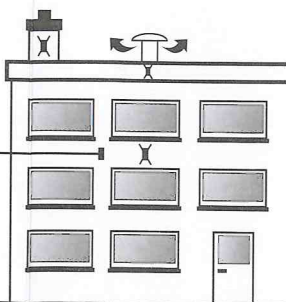


**MUST BE MOUNTED
CABLE INLET
FACING DOWN**

**DO NOT MOUNT
WITH CABLE INLET
FACING UP!**

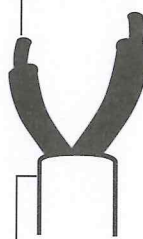


SENSOR



0,3 - 1,5 mm²

**(22 AWG / 100')
(18 AWG / 150')**



Ø 3 - 7 mm

(.118 - .275 DIAM)