

**LULU Wall elbow - Brushed Platinum**



LULU

28 450 710 Product version up to 7/6/2018



- 3/8" shower outlet
- rosette 78 x 55 mm
- 1/2" connection
- WRAS

Intrinsic protection against back flow.

	Brushed Platinum	28 450 710-06
	Chrome	28 450 710-00

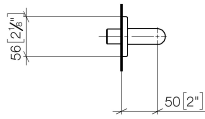
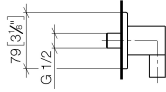
**Recommended miscellaneous**



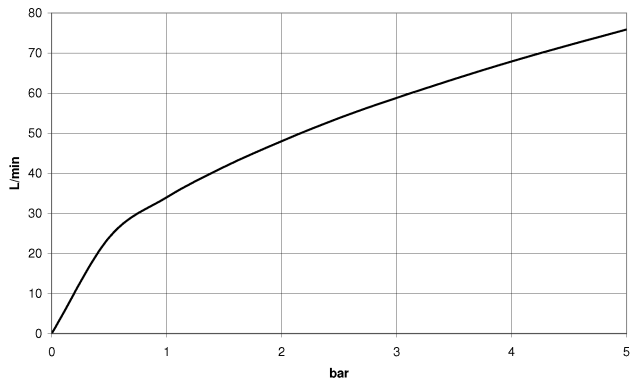
- Concealed wall elbow -** 35 085 970 90
- min. recess depth 90 mm
  - max. recess depth 163 mm

28 450 710 Product version up to 7/6/2018

mm [inches]



**Flow rate chart**



**Codes & Standards**

ASME A112.18.1

cUPC

EN 1717

Scottish Water  
Byelaws

UK Water Supply  
Regulations



## LULU Wall elbow - Brushed Platinum

---

LULU

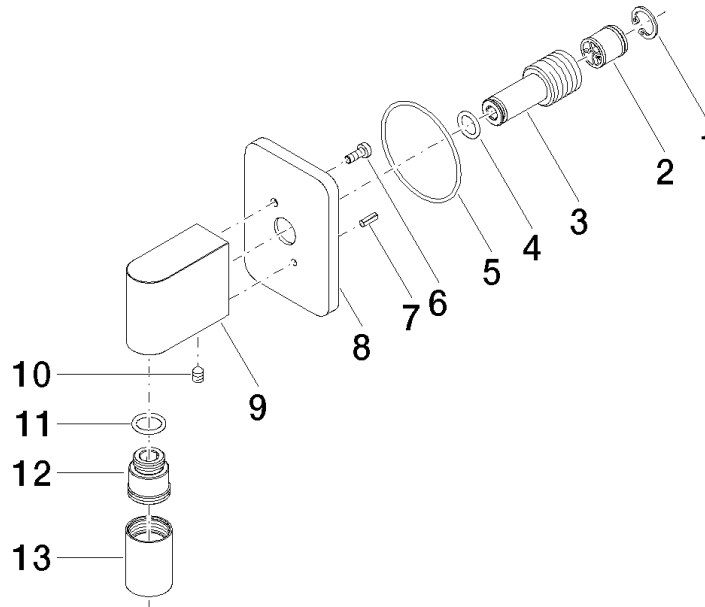
28 450 710 Product version up to 7/6/2018

### Certificates and sustainability

---

Belgaqua\_21-381-2 WRAS\_2310

IAPMO\_4976



### Spare parts list

No.	Item Number	Name	Quantity used	Delivery time
7	09 31 11 026 90	Grooved pin Ø 5 x12 mm -	1.00	14
12	09 24 03 107 20 90	Nipple Ø 20 x 21,5 mm -	1.00	14
5	09 14 10 142 90	O-Ring 47,3 x 1,78 mm -	1.00	14
9	09 11 03 026 20-06	Connection 22 x 42 x 52 mm - Brushed Platinum	1.00	-
Spare part can no longer be ordered, please order the replacement item				
091103046-06 Wall elbow - Brushed Platinum				
2	90 23 01 040 00 90	Back-flow preventer Check valve cartridge, DW15 -	1.00	14
13	90 21 02 069 00-06	Cover/sleeve M20 x 1 - Brushed Platinum	1.00	20
8	09 27 71 002-06	Rosette for wall elbows 55 x 78 x 8 mm - Brushed Platinum	1.00	20
1	09 16 01 014 90	Ring Retaining ring Ø 15 x 1 mm -	1.00	14
3	09 24 03 116 20 90	Nipple Ø 21 x 50 mm -	1.00	14
6	09 30 30 054 90	Mounting Cylinder head screw with hexagon socket with low profile M4 x 10 mm -	1.00	14
11	90 14 10 077 00 90	O-Ring EPDM 70 12,0 x 2,0 mm -	1.00	14
4	09 14 10 008 90	O-Ring 10,0 x 2,0 mm -	1.00	14
10	09 31 11 005 90	Mounting Threaded pin with hexagon socket with pins M5 x 10 mm -	1.00	14