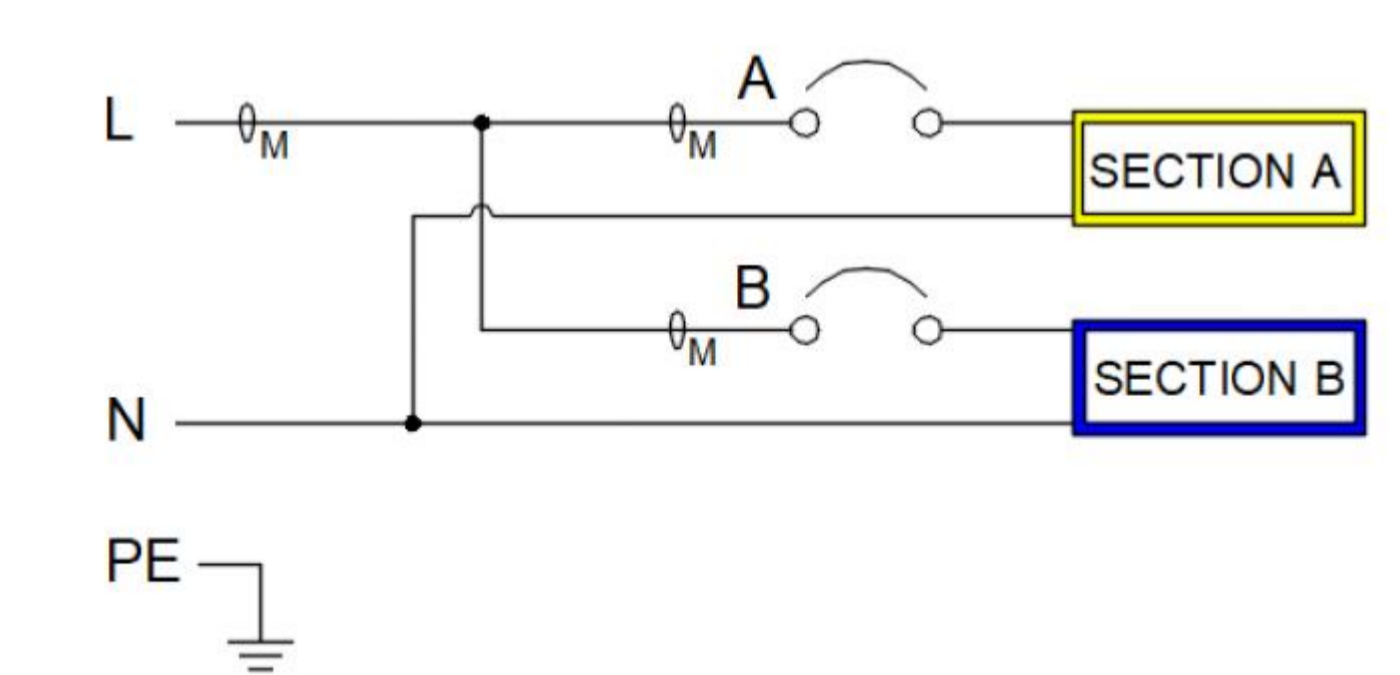


EVMIF132A		G4 Rack PDU METERED INPUT	
FUNCTIONALITY	INPUT	OUTPUT	ENVIRONMENTAL
CURRENT AND ENERGY METERING AND RATING	IEC 60309-2 32A 230V~ 6.0MM <sup>2</sup> x 3C POWERCORD (LSZH) CABLE LENGTH: 3.0M	(12) IEC 60320 C13 HIGH RETENTION / P-LOCK (12) EATON C39 - COMBO C13/C19 HIGH RETENTION / P-LOCK (C19 ONLY)	OPERATING TEMPERATURE 0° TO 60° C 32° TO 140° F
MECHANICAL	INPUT RATING	OUTPUT RATING	CERTIFICATIONS
1730mm (68.11") LENGTH 52mm (2.05") WIDTH 53mm (2.09") DEPTH ALUMINUM CHASSIS, BLACK	200-240V~ W+N+PE 32A 50/60Hz	200-240V~ 10A PER C13, 16A PER C39 16A MAX PER SECTION 32A MAX TOTAL	CE, UKCA, RCM, Cmm, Ukr, EAC
CIRCUIT BREAKERS	COMMUNICATION	ACCESSORIES	REGULATORY MODEL
(2) 16A 1-POLE	G4 NMC, DUAL GIGABIT ETHERNET WITH NETWORK CASCADING, POWER REDUNDANCY PORT, EMP PORT, 2xUSB-C, MENU PIXEL LCD, ADVANCED CYBERSECURITY UL 2900-1 and IEC 62443-4-2	SPARE PART ACCESSORY KIT SPK050 OPTIONAL ENVIRONMENTAL PROBE - EMPDT1H1C2 SPARE PART G4 NMC SPK055	EMIF-CHFB-C37K



REV.	MODIFICATION	DATE	DESSIN/DRAW	VERIF
03	GLOBAL UPDATE	26.10.2023	RP	YS
00	FIRST RELEASE	18.10.2023	RP	YS

<b>EATON</b>		HEINEMANN PRODUCTS		ECHELLE / SCALE	N° MAG
		CH-1345 LE LIEU SWITZERLAND		0.4	9001-22324
TRAITEMENT / FINISH		PAR / BY		DESSINE LE / DRAWN THE	
NA		RP		18.10.2023	
MATERIE / MATERIAL		VERIFIE PAR / VERIFIED BY		YS	
NA					
NIVEAU DU CERTIFICAT DE SOUMISSION REQUIS / SAMPLES APPROVAL PROCESS REPORT			X	DIMENSIONS AND TOLERANCES IN MILLIMETERS	
DESIGNATION			PDU G4 MI 0U 309 63A 1P 24xC13.18xC39	9001-22324_EVMIF132A	03
COTES A CONTROLER		COTES FONCTIONNELLES		NUMERO DU PLAN	
INSPECTION DIMENSIONS		FUNCTIONAL DIMENSIONS		PLAN NUMBER	
XX.X		XX.X		DRAWING REV.	

Ce document est propriété de Eaton Industries Manufacturing GmbH. Duplication interdite sans autorisation.  
This document is Eaton Industries Manufacturing GmbH property. Duplication forbidden without authorization.