

20 700 360 Product version from 7/31/2009



- 135mm projection
- fixed spout
- circular, air-enriched flow
- height of mixer 72 mm
- height up to aerator 40 mm
- hole diameter valve 32 mm
- hole diameter spout 35 mm
- without rosette
- 2x 1/2" x 1/2" high pressure hose
- max. flow 7 l/min
- lead-free
- This product can help a building meet the requirements of Green Building Rating Systems, e.g. LEED®, BREEAM®, DGNB
- WRAS

Only suitable for basins with an overflow.

| | | |
|---|-------------------------------|---------------|
|  | Chrome | 20 700 360-00 |
|  | Brushed Platinum | 20 700 360-06 |
|  | Platinum | 20 700 360-08 |
|  | Durabrace (23kt Gold) | 20 700 360-09 |
|  | Brushed Durabrace (23kt Gold) | 20 700 360-28 |
|  | Brushed Gold (PVD) | 20 700 360-37 |
|  | Brushed Dark Brass (PVD) | 20 700 360-39 |
|  | Brushed Bronze (PVD) | 20 700 360-42 |
|  | Brushed Dark Platinum | 20 700 360-99 |

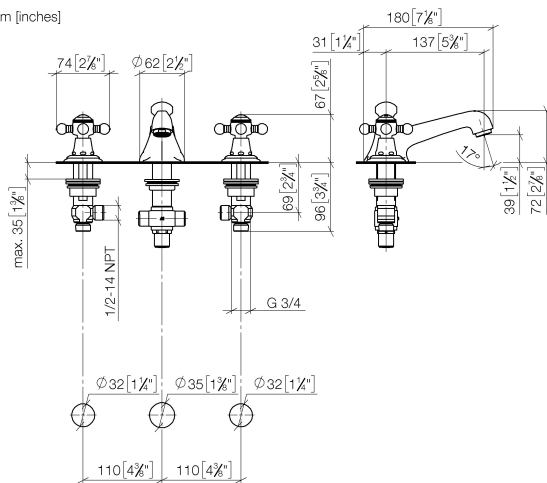
Recommended miscellaneous



High pressure hoses - 12 506 970 90
 • 2x 3/8" x 1/2" x 500mm high pressure hose

20 700 360 Product version from 7/31/2009

mm [inches]



Flow rate chart



Codes & Standards

DIN 4109

EN 200

Executive Order
no. 1007

ISO 3822

Scottish Water
Byelaws

UK Water Supply
Regulations

Ü-Zeichen

VA-Zeichen



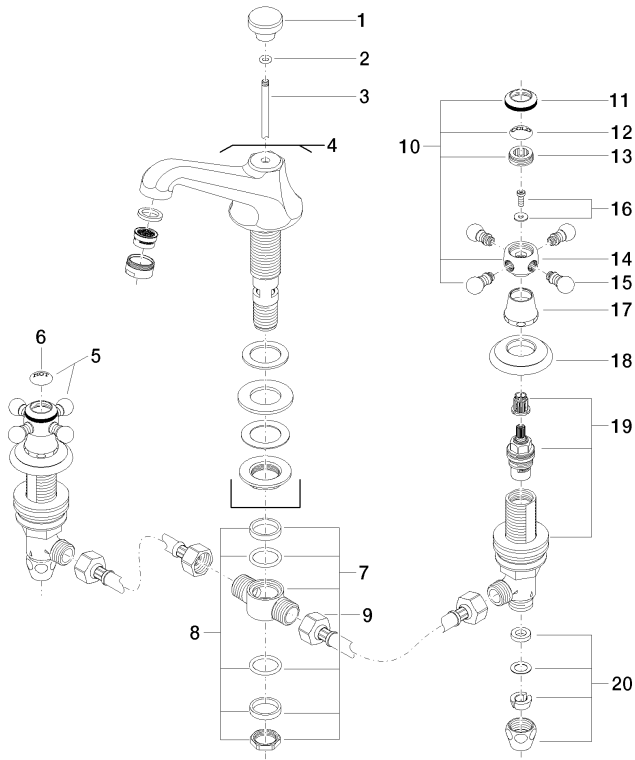
MADISON Three-hole basin mixer with pop-up waste - Chrome

MADISON

20 700 360 Product version from 7/31/2009

Certificates and sustainability

| | | | | |
|----------|--------|-------|-------------|--|
| GDV_0400 | ETA_17 | LGA_8 | WRAS_240602 | EPD-DOR-20230287 -IBA1-EN Environmental.prod uct-declarat |
|----------|--------|-------|-------------|--|



21 ————— Ablaufgarnitur 04.11.01.001.00.FP