

**META Wall-mounted single-lever basin mixer with individual rosettes - Brushed Platinum**

META

36 863 660 Product version from 7/1/2023



- 90° spout
- 250mm projection
- fixed spout
- circular, air-enriched flow
- hole diameter spout 37 mm
- hole diameter single-lever mixer 57 mm
- rosette for spout Ø 60mm
- rosette for mixer Ø 78mm
- max. flow 5.7 l/min
- lead-free
- This product can help a building meet the requirements of Green Building Rating Systems, e.g. LEED®, BREEAM®, DGNB
- WRAS

	Brushed Platinum	36 863 660-06
	Chrome	36 863 660-00
	Dark Chrome	36 863 660-19
	Light Gold (PVD)	36 863 660-26
	Brushed Light Gold (PVD)	36 863 660-27
	Matte Black	36 863 660-33
	Brushed Gold (PVD)	36 863 660-37
	Brushed Dark Brass (PVD)	36 863 660-39
	Brushed Bronze (PVD)	36 863 660-42
	Brushed Dark Bronze (PVD)	36 863 660-43
	Brushed Chrome	36 863 660-93
	Brushed Dark Platinum	36 863 660-99

**Required miscellaneous**

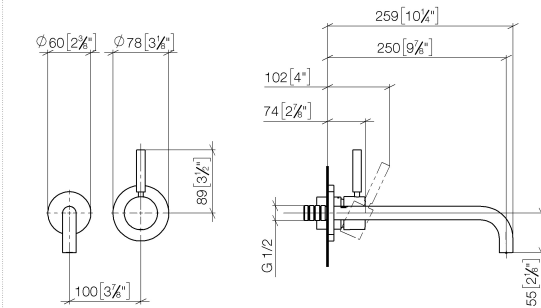


**Concealed wall-mounted single-lever mixer - 35 860 970 90**

- min. recess depth 75 mm
- max. recess depth 95 mm
- mixer can be placed above, to the left or to the right of the spout.

36 863 660 Product version from 7/1/2023

mm [inches]



**Flow rate chart**



**Codes & Standards**

DIN 4109

ISO 3822

Scottish Water  
Byelaws

UK Water Supply  
Regulations

**Ü-Zeichen**



# META Wall-mounted single-lever basin mixer with individual rosettes - Brushed Platinum

META

---

36 863 660 Product version from 7/1/2023

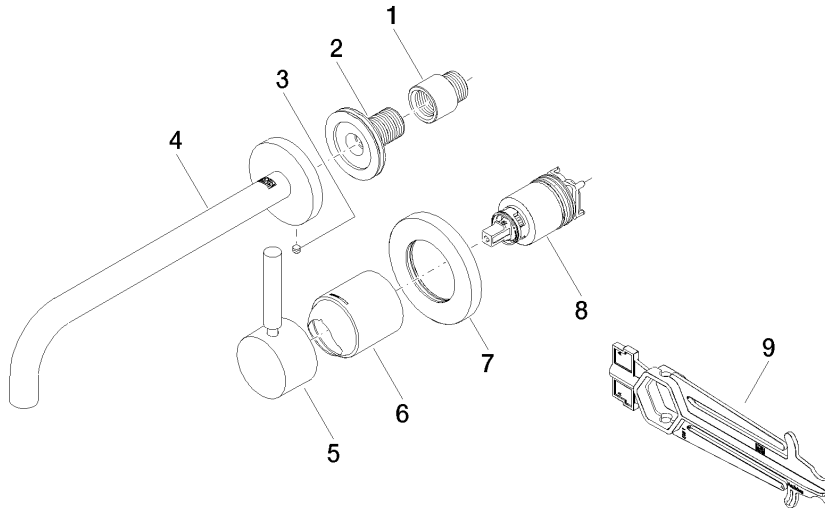
Certificates and sustainability

---

LGA\_29

WRAS\_2107

EPD-DOR-20230287  
-IBA1-EN  
Environmental.prod  
uct-declarat



### Spare parts list

No.	Item Number	Name	Quantity used	Delivery time
7	90 27 62 011 00-06	Cover Ø 78 x Ø 45,7 x 9 mm - Brushed Platinum	1.00	20
4	90 28 22 352 00-06	Spout for washstand wall mounting 250 mm, 5,68 l/min. - Brushed Platinum	1.00	20
5	90 20 66 007 00-06	Handle Lever 52 x 35 x 117 mm - Brushed Platinum	1.00	20
6	09 11 02 288-06	Cover Ø 45 x 55 mm - Brushed Platinum	1.00	20
9	90 30 09 064 00 90	Spanner for cartridge nut -	1.00	14
2	90 24 03 280 00 90	Connection -	1.00	14
8	90 15 05 064 01 90	Single-lever mixer cartridge with adapter plate incl. installation spanner Ø 35 mm x 58,6 mm -	1.00	-
Spare part can no longer be ordered, please order the replacement item				
	9015050460190	Single-lever mixer cartridge with cartridge insert, torque wrench Ø 35 mm x 58,6 mm -		
1	09 24 03 072 10 90	Extension 1/2" x 20 mm -	1.00	14
3	09 31 11 148 90	Mounting Threaded pin with hexagon socket with point M5 x 4 mm -	1.00	14