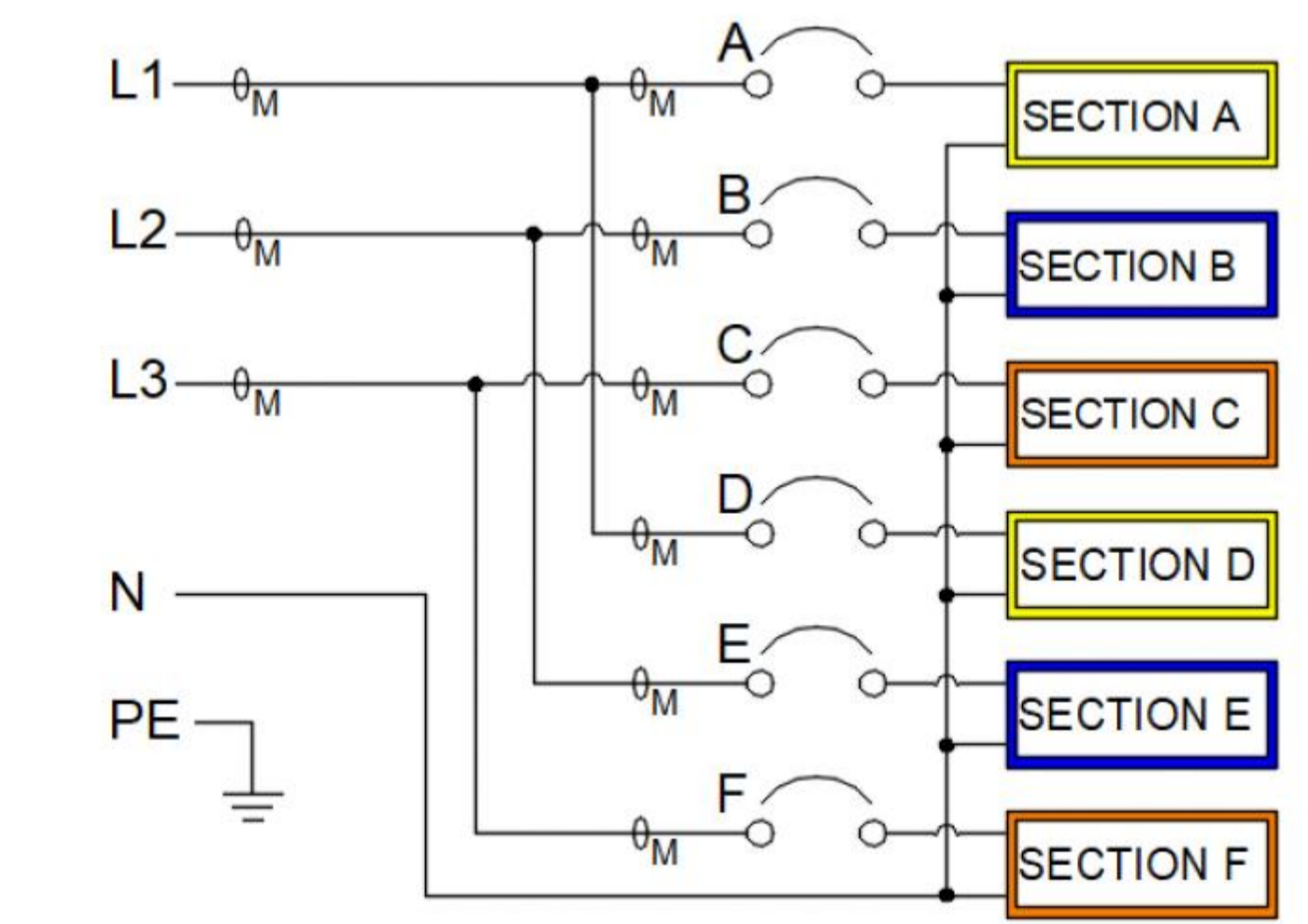


|   |   |   |   |
|---|---|---|---|
| <b>EVMIF332A</b>  |   | <b>G4 Rack PDU METERED INPUT</b>  |   |
| <b>FUNCTIONALITY</b>  | <b>INPUT</b>  | <b>OUTPUT</b>   | <b>ENVIRONMENTAL</b>                                  |
| CURRENT POWER AND ENERGY METERING FOR INPUT AND BRANCH  | IEC 60309-2 32A 230/400V<br>6MM <sup>2</sup> x 5C POWERCORD (LSZH)<br>CABLE LENGTH: 3.0M  | (12) IEC 60320 C13 HIGH RETENTION / P-LOCK<br>(12) EATON C39 - COMBO C13/C19 HIGH RETENTION / P-LOCK (C19 ONLY)<br>ALTERNATING PHASES | OPERATING TEMPERATURE<br>0° TO 60° C<br>32° TO 140° F |
| <b>MECHANICAL</b>   | <b>INPUT RATING</b>   | <b>OUTPUT RATING</b>  | <b>CERTIFICATIONS</b>                                 |
| 1730mm (68.11") LENGTH<br>52mm (2.05") WIDTH<br>53mm (2.09") DEPTH<br>ALUMINUM CHASSIS, BLACK | 200-240 / 346-415V~<br>WYE, 3W+N+PE<br>32A<br>50/60HZ   | 200-240V~<br>10A PER C13, 16A PER C39<br>16A MAX PER SECTION<br>NOT TO EXCEED INPUT RATING  | CE, UKCA, RCM, Cmm,<br>Ukr, EAC                       |
| <b>CIRCUIT BREAKERS</b>   | <b>COMMUNICATION</b>  | <b>ACCESSORIES</b>  | <b>REGULATORY MODEL</b>                               |
| (6) 16A 1-POLE  | G4 NMC, DUAL GIGABIT ETHERNET WITH NETWORK CASCADING, POWER REDUNDANCY PORT, EMP PORT, 2xUSB-C, MENU PIXEL LCD, ADVANCED CYBERSECURITY<br>UL 2900-1 and IEC 62443-4-2 | SPARE PART ACCESSORY KIT SPK050<br>OPTIONAL ENVIRONMENTAL PROBE - EMPDT1H1C2<br>SPARE PART G4 NMC SPK055                              | EMIF-CHFB-C37K  |



|   |                                       |  |  |
|---|---------------------------------------|--|--|
| 03 GLOBAL UPDATE  | 26.10.2023                            | RP   | YS                                       |
| 00 FIRST RELEASE  | 19.10.2023                            | RP   | YS                                       |
| REV. MODIFICATION   | DATE                                  | DESSIN/DRAW                                  | VERIF                                    |
| EATON HEINEMANN PRODUCTS  |                                       | ECHELLE / SCALE                              | N° MAG                                   |
| CH-1345 LE LIEU SWITZERLAND   |                                       | 0.4  | 9001-22328                               |
| DESSINE LE / DRAWED THE   |                                       | 19.10.2023                                   |  |
| PAR / BY  |                                       | RP   |  |
| VERIFIE PAR / VERIFIED BY   |                                       | YS   |  |
| TOLERANCE GENERALE / GENERAL TOLERANCE  | ± 0.3                                 | ± 0°20'                                      |  |
| TRAITEMENT / FINISH   | NA                                    |  |  |
| MATIERE / MATERIAL  | NA                                    |  |  |
| NIVEAU DU CERTIFICAT DE SOUMISSION REQUIS / SAMPLES APPROVAL PROCESS REPORT   |                                       | X  | DIMENSIONS AND TOLERANCES IN MILLIMETERS |
| DESIGNATION   | PDU G4 MI 0U 309 32A 3P 12xC13.12xC39 | 9001-22328_EVMIF332A                         | 00                                       |
| COTES A CONTROLER / INSPECTION DIMENSIONS   | XX.X                                  | COTES FONCTIONNELLES / FUNCTIONAL DIMENSIONS | XX.X                                     |
| Ce document est propriété de Eaton Industries Manufacturing GmbH. Duplication interdite sans autorisation.<br>This document is Eaton Industries Manufacturing GmbH property. Duplication forbidden without authorization. |                                       | NUMERO DU PLAN / PLAN NUMBER                 | DRAWING REV.                             |