

Technische Daten/ Technical Data

KLUDI FRESHLINE
hand shower CL 1 S
DN 15

Ref.: 6450005-00WR9

Finishes:
05 chrome

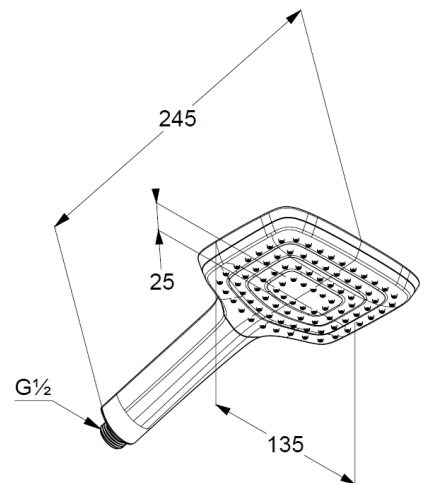
Product description
Manufacturer KLUDI GmbH & Co. KG
Typ: KLUDI FRESHLINE
hand shower CL 1 S
Ref.: 6450005-00WR9

hand shower 1 S
1 spray pattern
with cleaning system
flow rate at 3 bar 8 l/min.
connection G1/2
sieve seal

Produktabbildung/ Product picture



Maßzeichnung/ Dimensional drawing



Durchfluss/ Flow rate

