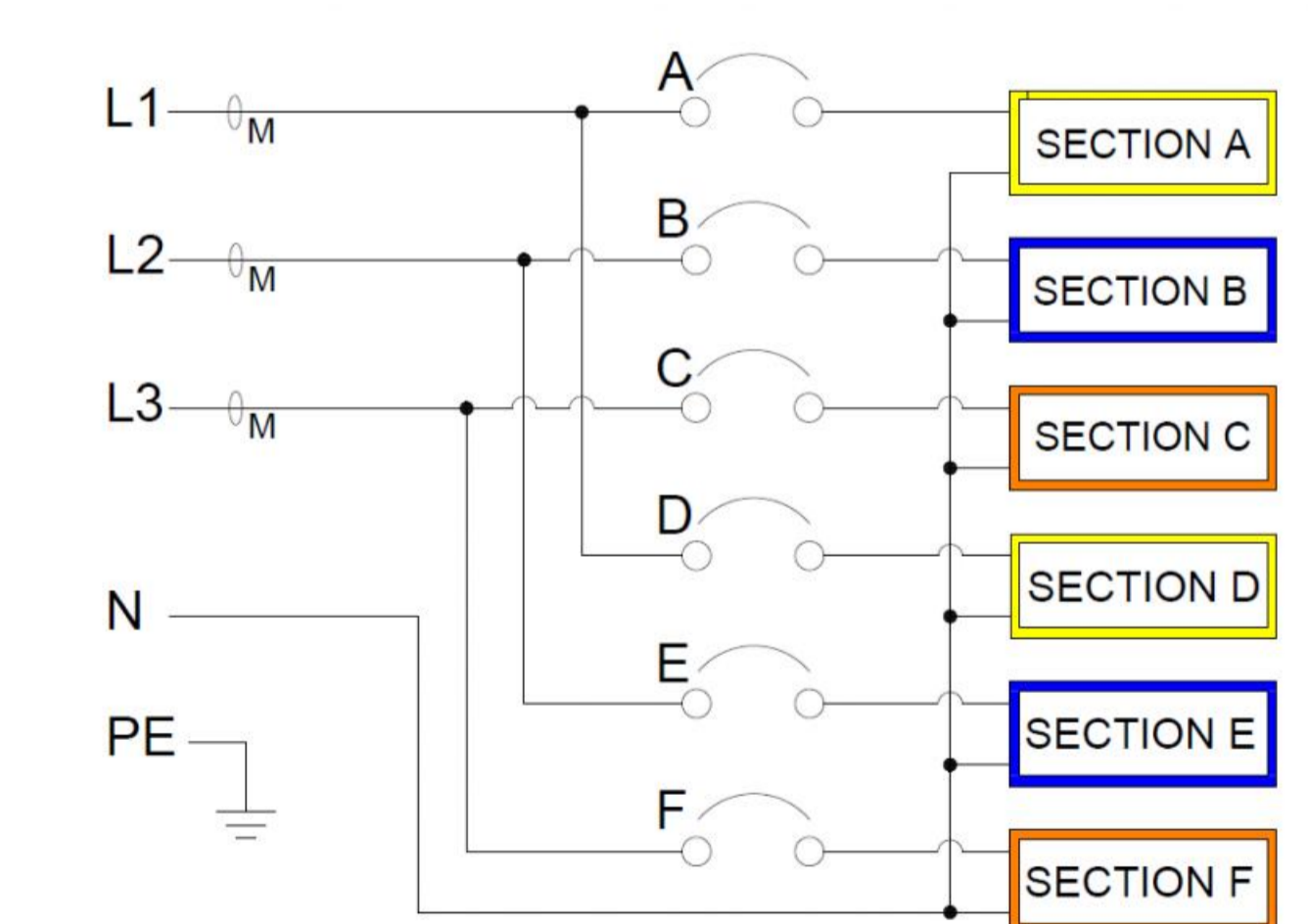


EVMIF332X		G4 Rack PDU METERED INPUT	
FUNCTIONALITY	INPUT	OUTPUT	ENVIRONMENTAL
CURRENT POWER AND ENERGY METERING FOR INPUT AND BRANCH	IEC 60309-2 32A 230/400V 6MM*2 x 5C POWERCORD (LSZH) CABLE LENGTH: 3.0M	(24) IEC 60320 C13 HIGH RETENTION / P-LOCK (18) EATON C39 - COMBO C13/C19 HIGH RETENTION / P-LOCK (C19 ONLY) ALTERNATING PHASES	OPERATING TEMPERATURE 0° TO 60° C 32° TO 140° F
MECHANICAL	INPUT RATING	OUTPUT RATING	CERTIFICATIONS
1730mm (68.11") LENGTH 52mm (2.05") WIDTH 53mm (2.09") DEPTH ALUMINUM CHASSIS, BLACK	200-240 / 346-415V~ WYE, 3W+N+PE 32A 50/60HZ	200-240V~ 10A PER C13;16A PER C19 16A MAX PER SECTION NOT TO EXCEED INPUT RATING	CE, UKCA, RCM, Cmm, Ukr, EAC
CIRCUIT BREAKERS	COMMUNICATION	ACCESSORIES	REGULATORY MODEL
(6) 16A 1-POLE	G4 NMC, DUAL GIGABIT ETHERNET WITH NETWORK CASCADING, POWER REDUNDANCY PORT, EMP PORT, 2xUSB-C, MENU PIXEL LCD, ADVANCED CYBERSECURITY UL 2900-1 and IEC 62443-4-2	SPARE PART ACCESSORY KIT SPK050 OPTIONAL ENVIRONMENTAL PROBE - EMPDT1H1C2 SPARE PART G4 NMC SPK055	EMIF-DHFB-G27K



03	GLOBAL UPDATE	26.10.2023	RP	YS
00	FIRST RELEASE	03.08.2023	RP	YS
REV.	MODIFICATION	DATE	DESS/DRAW	VERIF
EATON		HEINEMANN PRODUCTS		ECHELLE / SCALE
CH-1345 LE LIEU SWITZERLAND		DESSINE LE / DRAWED THE		0.4
TOLERANCE GENERALE / GENERAL TOLERANCE ± 0.3 ± 0°'20'		PAR / BY		9001-22351
TRAITEMENT / FINISH NA		VERIFIE PAR / VERIFIED BY		03.08.2023
MATIERE / MATERIAL NA		N° MAG		RP
NIVEAU DU CERTIFICAT DE SOUMISSION REQUIS / SAMPLES APPROVAL PROCESS REPORT X		DIMENSIONS AND TOLERANCES IN MILLIMETERS		
DESIGNATION PDU G4 MI 0U 309 32A 3P 24xC13.18xC39 CE		NUMERO DU PLAN		9001-22351_EVMIF332X
COTES A CONTROLER INSPECTION DIMENSIONS XX.X		COTES FONCTIONNELLES FUNCTIONAL DIMENSIONS XX.X		03
Ce document est propriété de Eaton Industries Manufacturing GmbH. Duplication interdite sans autorisation. This document is Eaton Industries Manufacturing GmbH property. Duplication forbidden without authorization.				