

26 413 370 Product version from 4/1/2025



- metal shower hose 1750mm with integrated anti-twist protection
- shower hose connector 1/2"
- slide bar

Technical data:

- gauge 850 mm
- rosettes Ø 60 mm
- Pipe diameter 18 mm

Notes:

This article does not include a hand shower!

	Brushed Platinum	26 413 370-06
	Chrome	26 413 370-00
	Platinum	26 413 370-08
	Durabronze (23kt Gold)	26 413 370-09
	Brushed Durabronze (23kt Gold)	26 413 370-28
	Brushed Gold (PVD)	26 413 370-37
	Brushed Dark Brass (PVD)	26 413 370-39
	Brushed Bronze (PVD)	26 413 370-42
	Brushed Dark Platinum	26 413 370-99

Recommended miscellaneous

	Concealed wall elbow - •min. recess depth 90 mm •max. recess depth 163 mm	35 085 970 90
--	--	---------------

Recommended miscellaneous

	Elbow 35° - Brushed Platinum	28 411 970-06
--	-------------------------------------	---------------

Required miscellaneous

	MADISON Hand shower 95 mm - Brushed Platinum •Three settings: COMPACT RAIN, COMPACT SOFT FLOW, COMPACT AQUAPRESSURE FLOW, max. flow rate l/min (at 3 bar) •spray head Ø 95mm •Hand shower see page {PAGE}	28 002 978-06
--	---	---------------

Required miscellaneous

	MADISON Hand shower FlowReduce 95 mm - Brushed Platinum •Three settings: COMPACT RAIN, COMPACT SOFT FLOW, COMPACT AQUAPRESSURE FLOW, max. flow rate l/min (at 3 bar) •spray head Ø 95mm •Hand shower see page {PAGE}	28 002 978-06 0010
--	--	-----------------------

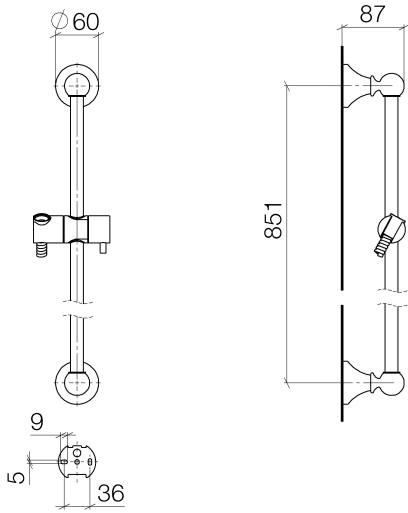
Recommended miscellaneous

	MADISON Wall elbow - Brushed Platinum	28 450 370-06
--	--	---------------

Required miscellaneous

	MADISON Metal hand shower with porcelain insert (white) FlowReduce - Brushed Platinum	28 002 970-06 0010
--	--	-----------------------

26 413 370 Product version from 4/1/2025

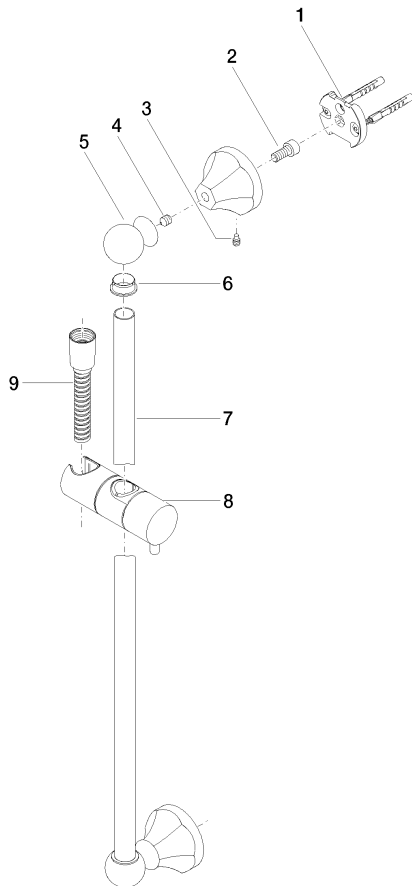


Codes & Standards

ASME A112.18.1	cUPC	Scottish Water Byelaws	UK Water Supply Regulations
----------------	------	---------------------------	--------------------------------

Certificates and sustainability

WRAS_2009	IAPMO_4976
-----------	------------



Spare parts list

No.	Item Number	Name	Quantity used	Delivery time
	3 09 31 11 140 90	Mounting Threaded pin with hexagon socket with pins M6 x 10 mm -	2.00	-
	Spare part can no longer be ordered, please order the replacement item			
	0431111400090	Mounting Threaded pin M6 x 10 mm -		
	8 12 580 970-06	Slide unit - Brushed Platinum	1.00	20
	5 09 21 40 020-06	Ball joint for bidet aerator 32 x 35 x 46,5 mm - Brushed Platinum	2.00	-
	Spare part can no longer be ordered, please order the replacement item			
	1 05 17 97 507 00 90	Attachment set 52 x 45 x 70 mm -	2.00	14
	9 28 204 970-06	Metal shower hose 1/2" x 1/2" x 1750 mm - Brushed Platinum	1.00	14
	6 09 18 40 009 90	Sleeve Ø 23 x 10 mm -	2.00	14
	2 09 30 30 048 90	Mounting Cylinder head screw with hexagon socket M8 x 18 mm -	2.00	14
	4 09 31 11 002 90	Mounting Threaded pin with hexagon socket M8 x 10 mm -	2.00	14
	7 08 28 22 596-06	Pipe Ø 18 x 870 mm - Brushed Platinum	1.00	-
	Spare part can no longer be ordered, please order the replacement item			