

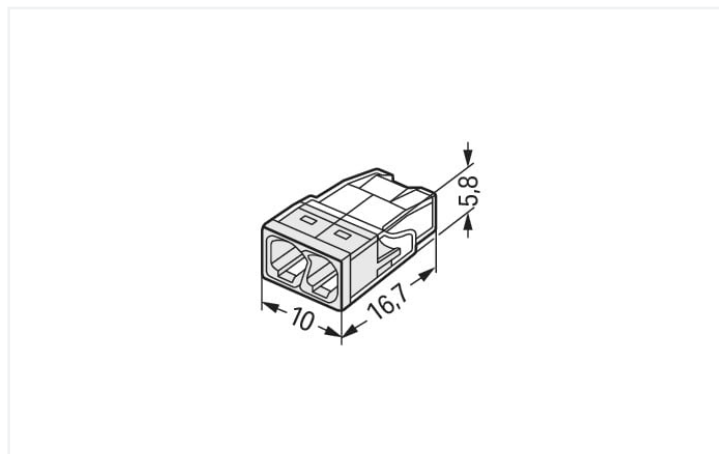
## Data Sheet | Item Number: 2273-202

COMPACT splicing connector; for solid conductors; max. 2.5 mm<sup>2</sup>; 2-conductor;  
transparent housing; white cover; Surrounding air temperature: max 60°C (T60);  
2,50 mm<sup>2</sup>; transparent

<https://www.wago.com/2273-202>



Color:  transparent



Dimensions in mm

### Advantages:

- Convenient wiring via extremely compact design
- Push-in termination of up to eight solid conductors
- Cross-section range: 0.5 ... 2.5 mm<sup>2</sup>
- Any combination of conductor sizes is possible
- PUSH WIRE® connection terminates solid ("s") copper conductors

### Notes

Safety information

in grounded power lines

### Electrical data

| Ratings per          | IEC/EN 60998 |     |       |
|----------------------|--------------|-----|-------|
| Overvoltage category | III          | III | II    |
| Pollution degree     | 3            | 2   | 2     |
| Nominal voltage      | -            | -   | 450 V |
| Rated surge voltage  | -            | -   | 4 kV  |
| Rated current        | -            | -   | 24 A  |

| Approvals per | UL 486C |   |   |
|---------------|---------|---|---|
| Use group     | B       | C | D |
| Rated voltage | -       | - | - |
| Rated current | -       | - | - |

### Connection data

|                            |   |
|----------------------------|---|
| Connection points          | 2 |
| Total number of potentials | 1 |

| Connection 1                    |                    |
|---------------------------------|--------------------|
| Connection technology           | PUSH WIRE®         |
| Actuation type                  | Push-in            |
| Connectable conductor materials | Copper<br>Aluminum |

## Connection 1

Connectable conductor materials (note)

### Terminating Aluminum Conductors

WAGO spring clamp terminal blocks are suitable for solid aluminum conductors up to 4 mm<sup>2</sup>/12 AWG if WAGO "Alu-Plus" Contact Paste [249-130](https://www.wago.com/249-130) is used for termination.

"Alu-Plus" Contact Paste Advantages:

- Automatically destroys the oxide film during clamping.
- Prevents fresh oxidation at the clamping point.
- Prevents electrolytic corrosion between aluminum and copper conductors (in the same terminal block).
- Provides long-term protection against corrosion.

For spring clamp connections with PUSH WIRE® connection technology, **WAGO recommends that the aluminum conductor first be cleaned** and then immediately inserted into the clamping unit filled with "Alu-Plus" contact paste.

It is also possible to apply WAGO "Alu-Plus" **additionally** on the whole surface of the aluminum conductor before termination.

Please note that the nominal currents must be adapted to the reduced conductivity of the aluminum conductors::

2.5 mm<sup>2</sup> = 16 A  
4 mm<sup>2</sup> = 22 A

|                  |   |
|------------------|---|
| Solid conductor  | 0.5 ... 2.5 mm <sup>2</sup> / 20 ... 16 AWG |
| Strip length     | 11 mm / 0.43 inches                         |
| Wiring direction | Side-entry wiring                           |

## Physical data

|        |                        |
|--------|------------------------|
| Width  | 10 mm / 0.394 inches   |
| Height | 5.8 mm / 0.228 inches  |
| Depth  | 16.7 mm / 0.657 inches |

## Material data

|                             |  |
|-----------------------------|--|
| Note (material data)        | <a href="https://www.wago.com/us/material-specifications">Information on material specifications can be found here</a> |
| Color                       | transparent  |
| Cover color                 | white  |
| Flammability class per UL94 | V2   |
| Fire load                   | 0.022 MJ   |
| Weight                      | 0.7 g  |

### Environmental requirements

|                                  |        |
|----------------------------------|--------|
| Ambient temperature (operation)  | +60 °C |
| Continuous operating temperature | 105 °C |
| Temperature marking per EN 60998 | T60    |

### Commercial data

|                       |                     |
|-----------------------|---------------------|
| Product Group         | 7 (Push Wire Conn.) |
| eCl@ss 10.0           | 27-14-11-04         |
| eCl@ss 9.0            | 27-14-11-04         |
| ETIM 8.0              | EC000446            |
| ETIM 7.0              | EC000446            |
| PU (SPU)              | 1000 (100) pcs      |
| Packaging type        | Box                 |
| Country of origin     | DE                  |
| GTIN                  | 4050821027843       |
| Customs tariff number | 85369010000         |

### Environmental Product Compliance

|                        |                         |
|------------------------|-------------------------|
| RoHS Compliance Status | Compliant, No Exemption |
|------------------------|-------------------------|

### Approvals / Certificates

#### General approvals



| Approval   | Standard | Certificate Name |
|--|----------|------------------|
| cULus_Listed_667F<br>Underwriters Laboratories<br>Inc. | UL 486C  | E69654           |
| VDE<br>VDE Prüf- und Zertifizie-<br>rungsinstitut      | EN 60998 | 40029794         |

#### Declarations of conformity and manufacturer's declarations

| Approval  | Standard | Certificate Name |
|---|----------|------------------|
| EU-Declaration of Confor-<br>mity<br>WAGO GmbH & Co. KG | -        | -                |
| UK-Declaration of Confor-<br>mity<br>WAGO GmbH & Co. KG | -        | -                |

### Approvals for marine applications



| Approval  | Standard | Certificate Name |
|---|----------|------------------|
| ABS<br>American Bureau of Ship-<br>ping               | -        | 15-HG1419918-PDA |
| DNV GL<br>Det Norske Veritas, Ger-<br>manischer Lloyd | EN 60998 | TAE000015T       |
| LR<br>Lloyds Register                                 | EN 60998 | LR22207029TA     |

**Downloads**

**Environmental Product Compliance**

|   |  |  |   |
|---|--|--|---|
| <b>Compliance Search</b>                  |  |  |   |
| Environmental Product Compliance 2273-202 |  |  | ↓ |

**Documentation**

|                             |            |                 |   |
|-----------------------------|------------|-----------------|---|
| <b>Bid Text</b>             |            |                 |   |
| 2273-202                    | 19.02.2019 | xml<br>3.17 KB  | ↓ |
| 2273-202                    | 17.05.2017 | doc<br>24.50 KB | ↓ |
| ausschreiben.de<br>2273-202 |            |                 |   |
|                             |            |                 | ↓ |

**CAD/CAE-Data**

|                          |   |
|--------------------------|---|
| <b>CAD data</b>          |   |
| 2D/3D Models<br>2273-202 | ↓ |

|                               |   |
|-------------------------------|---|
| <b>CAE data</b>               |   |
| EPLAN Data Portal<br>2273-202 | ↓ |
| WSCAD Universe<br>2273-202    | ↓ |
| ZUKEN Portal<br>2273-202      | ↓ |

**1 Compatible Products**

**1.1 Optional Accessories**

**1.1.1 General accessories**

**1.1.1.1 Moisture protection**



**Item No.: 207-1331**  
Gelbox; Branch; for cables; with gel; 221, 2x73 Series; max. 4 mm² connectors; without splicing connectors; Size 1; gray

**Item No.: 207-1332**  
Gelbox; Branch; for cables; with gel; 221, 2x73 Series; max. 4 mm² connectors; without splicing connectors; Size 2; gray

**Item No.: 207-1333**  
Gelbox; Branch; for cables; with gel; 221, 2x73 Series; max. 4 mm² connectors; without splicing connectors; Size 3; gray

## 1.1.2 Mounting adapter

### 1.1.2.1 Mounting accessories



**Item No.: 2273-500**

Mounting carrier; for single- and double-row con.; 2273 Series; for DIN-35 rail mounting/screw mounting; orange

## 1.1.3 Tool

### 1.1.3.1 "Alu-Plus" contact paste

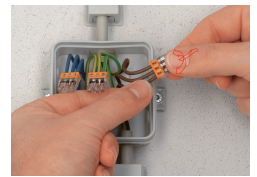
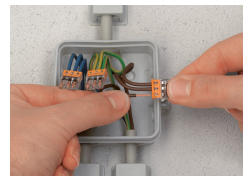


**Item No.: 249-130**

Syringe; Contents: 20 ml Alu-Plus contact paste

## Installation Notes

### Conductor termination



Strip solid conductor to 11 mm/0.43 inch (see marking).

The transparent housing shows if conductors are fully inserted; within the colored base, a clear port shows if the conductor's strip length is correct. Conductors are correctly stripped if the clear port shows no bare conductor on the unprinted connector side. Picture shows center conductor with exceeded strip length.

Termination: Insert the stripped solid conductor until it hits the backstop.

Removal: Hold conductor to be removed and twist alternately left and right while pulling the connector.

## Testing



Testing via test port opposite to conductor entry.