

MEM Bath cascade spout without diverter for deck mounting - Platinum

MEM

13 630 740 Product version from 4/1/2025

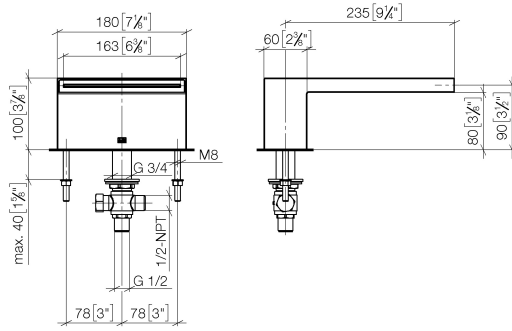


- 235mm projection
- cascade
- height of mixer 100 mm
- height up to aerator 80 mm
- hole diameter 32 mm
- 1/2" connection
- max. flow 26.5 l/min at 3 bar flow pressure
- WRAS

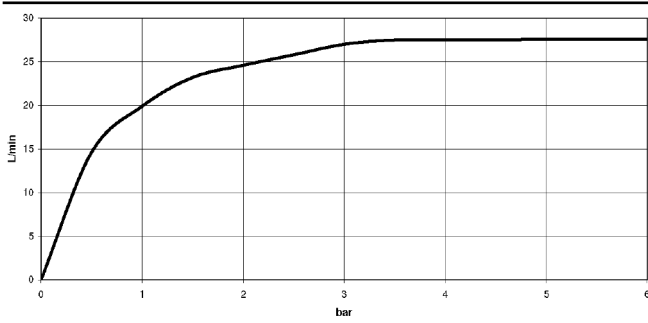
	Platinum	13 630 740-08
	Chrome	13 630 740-00
	Brushed Platinum	13 630 740-06
	Dark Chrome	13 630 740-19
	Brushed Light Gold (PVD)	13 630 740-27
	Brushed Durabrass (23kt Gold)	13 630 740-28
	Brushed Dark Brass (PVD)	13 630 740-39
	Brushed Bronze (PVD)	13 630 740-42
	Brushed Dark Bronze (PVD)	13 630 740-43
	Brushed Champagne (22kt Gold)	13 630 740-46
	Champagne (22kt Gold)	13 630 740-47
	Brushed Dark Platinum	13 630 740-99

13 630 740 Product version from 4/1/2025

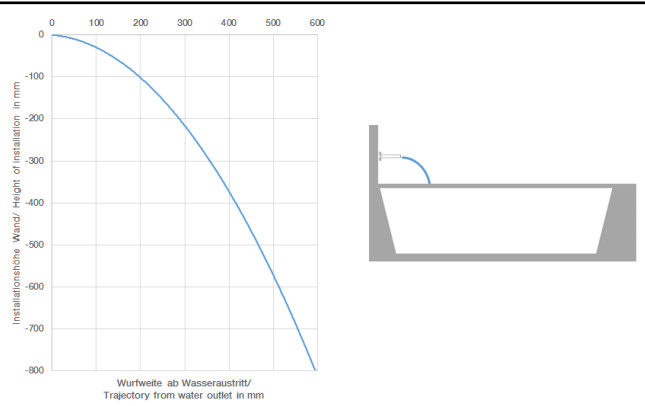
mm [inches]



Flow rate chart



Trajectory diagram



Codes & Standards

ASME A112.18.1	cUPC	DIN 4109	ISO 3822
Scottish Water Byelaws	UK Water Supply Regulations	Ü-Zeichen	



MEM Bath cascade spout without diverter for deck mounting - Platinum

MEM

13 630 740 Product version from 4/1/2025

Certificates and sustainability

WRAS_240502

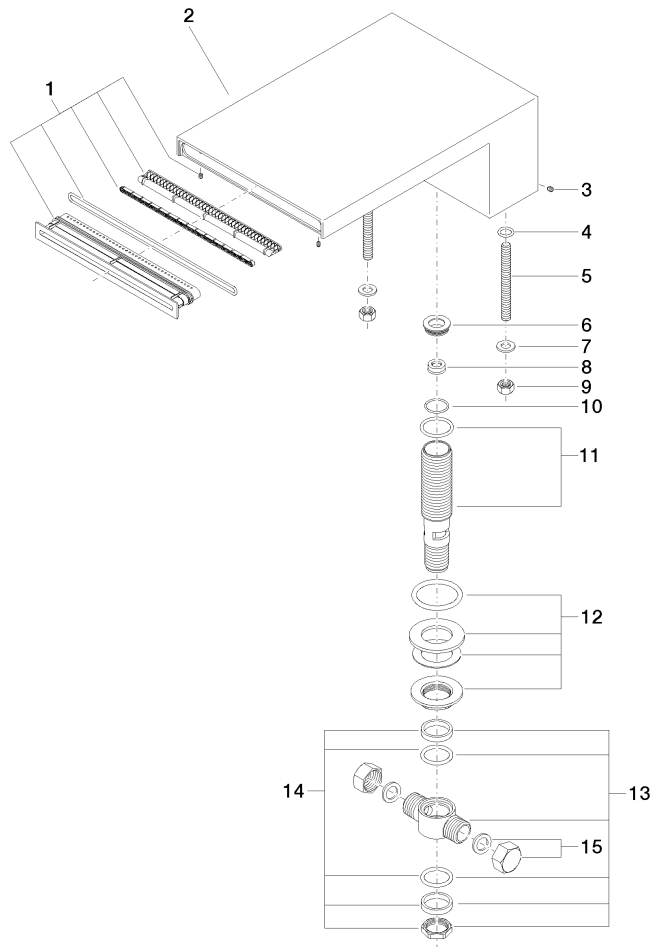
IAPMO_4976

LGA_19

EPD-DOR-20230287
-IBA1-EN
Environmental.prod
uct-declarat

13 630 740 Product version from 4/1/2025

Parts for other finishes can be found here: [Chrome](#)



Spare parts list

No.	Item Number	Name	Quantity used	Delivery time
12	04 23 10 004 04 90	Mounting with seals Ø 45 mm, 3/4" -	1.00	14
2	09 11 74 040-08	Spout 180 x 100 x 265 mm - Platinum	1.00	54
8	09 23 01 057 90	Flow limiter red 26,5 l/min. -	1.00	14
5	09 31 11 011 90	Mounting Threaded bolt M8 x 80 mm -	2.00	14
15	04 21 02 006 00 92	Cap with seal Screw connection 1/2" -	2.00	14
3	09 31 11 044 90	Mounting Threaded pin with hexagon socket with cup point M4 x 5 mm -	1.00	14
10	09 14 10 140 90	O-Ring 18,0 x 1,5 mm -	1.00	14
7	09 30 11 045 90	Washer Ø 8,4 -	2.00	14
13	90 17 11 020 10 90	Distributor complete -	1.00	14
11	90 30 01 033 00 90	Connection Ø 28 x 126 mm -	1.00	14
1	90 29 03 059 00 90	Beam shaper 175 x 20 x 35 mm -	1.00	14
14	90 23 10 012 00 90	Mounting Distributor, 1/2" + 3/4" -	1.00	14
6	09 24 04 246 20 90	Nipple Ø 24 x 7 mm -	1.00	14
4	09 14 10 008 90	O-Ring 10,0 x 2,0 mm -	2.00	14
9	09 23 10 023 90	Mounting Nut M8 -	2.00	14