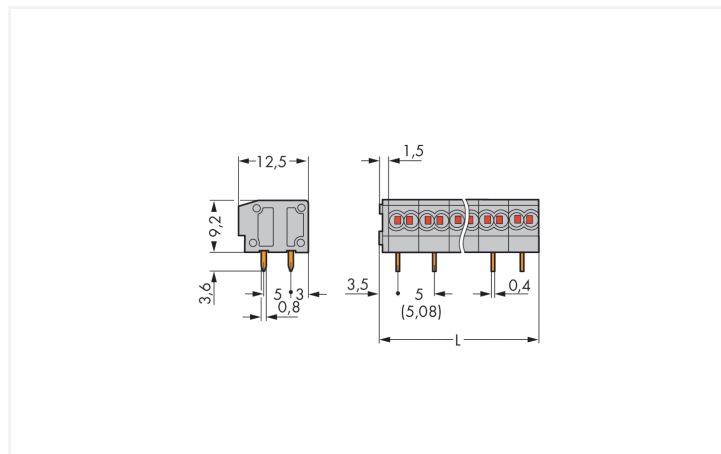


# Data Sheet | Item Number: 235-453

2-conductor PCB terminal block; 0.75 mm<sup>2</sup>; Pin spacing 5/5.08 mm; 3-pole; PUSH WIRE®; gray

<https://www.wago.com/235-453>



Color: ■ gray

Similar to illustration

Dimensions in mm  
L = (pole no. x pin spacing) + 1.5 mm

PCB terminal block, 235 Series, gray

Quick and easy connections are guaranteed with this PCB terminal block (item number 235-453). It offers the flexibility needed for different mounting types. Strip lengths must be between 9 and 10 mm when connecting conductors to this PCB terminal block. Featuring one conductor terminal along with PUSH WIRE®, this product is highly versatile. Our PUSH WIRE® connection is the simple and reliable method for connecting solid conductors. Dimensions: (16.5 x 12.8 x 12.5) mm (width x height x depth). Depending on the type of conductor, this PCB terminal block is designed for conductor cross sections ranging from 0.25 mm<sup>2</sup> to 0.75 mm<sup>2</sup>. Tin is used for coating the contact surfaces. This PCB terminal block is operated with an operating tool. The PCB terminal block is designed for THT soldering. Insert the conductor into the board at a 0° angle..

## Notes

Variants:

Other pole numbers  
Other colors  
Mixed-color PCB connector strips  
Direct marking  
Other versions (or variants) can be requested from WAGO Sales or configured at <https://configurator.wago.com/>.

## Electrical data

| Ratings per                     | IEC/EN 60664-1 |       |       |
|---------------------------------|----------------|-------|-------|
| Overvoltage category            | III            | III   | II    |
| Pollution degree                | 3              | 2     | 2     |
| Nominal voltage                 | 250 V          | 320 V | 630 V |
| Rated impulse withstand voltage | 4 kV           | 4 kV  | 4 kV  |
| Rated current                   | 10 A           | 10 A  | 10 A  |

| Approvals per | UL 1059 |   |       |
|---------------|---------|---|-------|
| Use group     | B       | C | D     |
| Rated voltage | 300 V   | - | 300 V |
| Rated current | 10 A    | - | 10 A  |

| Approvals per | CSA   |   |   |
|---------------|-------|---|---|
| Use group     | B     | C | D |
| Rated voltage | 300 V | - | - |
| Rated current | 10 A  | - | - |

### Connection Data

|                            |   |
|----------------------------|---|
| Clamping units             | 6 |
| Total number of potentials | 3 |
| Number of connection types | 1 |
| Number of levels           | 1 |

### Connection 1

|  |   |
|--|---|
| Connection technology                              | PUSH WIRE®                                    |
| Actuation type                                     | Operating tool                                |
| Solid conductor                                    | 0.25 ... 0.75 mm <sup>2</sup> / 24 ... 18 AWG |
| Fine-stranded conductor; with un-insulated ferrule | 0.25 ... 0.34 mm <sup>2</sup>                 |
| Strip length                                       | 9 ... 10 mm / 0.35 ... 0.39 inches            |
| Conductor connection direction to PCB              | 0°  |
| Pole number  | 3   |

### Physical data

|                         |                              |
|-------------------------|------------------------------|
| Pin spacing             | 5/5.08 mm / 0.197/0.2 inches |
| Width                   | 16.5 mm / 0.65 inches        |
| Height                  | 12.8 mm / 0.504 inches       |
| Height from the surface | 9.2 mm / 0.362 inches        |
| Depth                   | 12.5 mm / 0.492 inches       |
| Solder pin length       | 3.6 mm                       |
| Solder pin dimensions   | 0.8 x 0.4 mm                 |
| !                       | 1 (+0.1) mm                  |

### PCB contact

|                                     |  |
|-------------------------------------|--|
| PCB contact                         | THT                                      |
| Solder pin arrangement              | over the entire terminal strip (in-line) |
| Number of solder pins per potential | 2  |

### Material data

|                                    |  |
|------------------------------------|--|
| Note (material data)               | <a href="#">Information on material specifications can be found here</a> |
| Color                              | gray   |
| Material group                     | I  |
| Insulation material (main housing) | Polyamide (PA66)   |
| Flammability class per UL94        | V0   |
| Clamping spring material           | Chrome-nickel spring steel (CrNi)  |
| Contact material                   | Electrolytic copper (E <sub>Cu</sub> )                                   |
| Contact Plating                    | Tin  |
| Fire load                          | 0.04 MJ  |
| Weight                             | 2.2 g  |

### Environmental requirements

|                         |                 |
|-------------------------|-----------------|
| Limit temperature range | -60 ... +105 °C |
|-------------------------|-----------------|

### Commercial data

|                       |                                |
|-----------------------|--------------------------------|
| Product Group         | 4 (Printed Circuit Connectors) |
| PU (SPU)              | 280 (70) pcs                   |
| Packaging type        | Box                            |
| Country of origin     | CH                             |
| GTIN                  | 4044918655958                  |
| Customs tariff number | 85369010000                    |

### Product Classification

|             |                      |
|-------------|----------------------|
| UNSPSC      | 39121409             |
| eCl@ss 10.0 | 27-44-04-01          |
| eCl@ss 9.0  | 27-44-04-01          |
| ETIM 9.0    | EC002643             |
| ETIM 10.0   | EC002643             |
| ECCN        | NO US CLASSIFICATION |

### Environmental Product Compliance

|                        |                         |
|------------------------|-------------------------|
| RoHS Compliance Status | Compliant, No Exemption |
|------------------------|-------------------------|

### Approvals / Certificates

#### General approvals



| Approval                              | Standard | Certificate Name |
|---------------------------------------|----------|------------------|
| CCA<br>DEKRA Certification B.V.       | EN 60947 | NTR NL-7144      |
| CCA<br>DEKRA Certification B.V.       | EN 60998 | NTR NL 6919      |
| CSA<br>DEKRA Certification B.V.       | C22.2    | 1673956          |
| KEMA/KEUR<br>DEKRA Certification B.V. | EN 60947 | 2160584.38       |

#### Declarations of conformity and manufacturer's declarations

| Approval   | Standard | Certificate Name |
|--|----------|------------------|
| EU-Declaration of Conformity<br>WAGO GmbH & Co. KG | -        | -                |
| UK-Declaration of Conformity<br>WAGO GmbH & Co. KG | -        | -                |

### Approvals for marine applications



| Approval                           | Standard | Certificate Name  |
|------------------------------------|----------|-------------------|
| ABS<br>American Bureau of Shipping | -        | 24-0095975-PDA    |
| DNV<br>DNV GL SE                   | -        | TAE000016Z        |
| PRS<br>Polski Rejestr Statków      | -        | TE/1095/880590/23 |

## Downloads

### Environmental Product Compliance

#### Compliance Search

Environmental Product Compliance 235-453



## Documentation

### Additional Information

Technical Section

03.04.2019

pdf

2027.26 KB



## CAD/CAE-Data

### CAD data

2D/3D Models 235-453



### CAE data

EPLAN Data Portal 235-453



ZUKEN Portal 235-453



## PCB Design

Symbol and Footprint via SamacSys 235-453



Symbol and Footprint via Ultra Librarian 235-453



## 1 Compatible Products

### 1.1 Optional Accessories

#### 1.1.1 Ferrule

##### 1.1.1.1 Ferrule



**Item No.: 216-241**

Ferrule; Sleeve for 0.5 mm<sup>2</sup> / 20 AWG; insulated; electro-tin plated; electrolytic copper; gastight crimped; acc. to DIN 46228, Part 4/09.90; white

**Item No.: 216-141**

Ferrule; Sleeve for 0.5 mm<sup>2</sup> / 20 AWG; un-insulated; electro-tin plated; electrolytic copper; gastight crimped; acc. to DIN 46228, Part 1/08.92

## Installation Notes

### Conductor termination



Inserting a solid conductor via push-in termination.

### Conductor removal



Removing a conductor via screwdriver (2.5 mm blade width).