

**TARA Towel ring round - Brushed Durabronz (23kt Gold)**

TARA

83 200 892 Product version from 4/1/2024

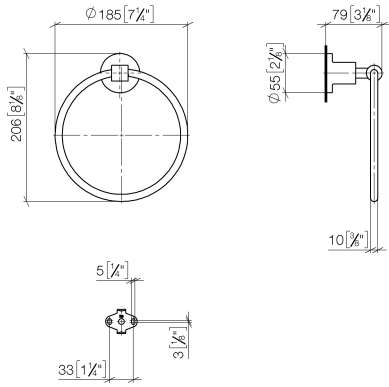


- width 185mm
- rosette Ø 55 mm
- 80mm projection

	Brushed Durabronz (23kt Gold)	83 200 892-28
	Chrome	83 200 892-00
	Brushed Platinum	83 200 892-06
	Platinum	83 200 892-08
	Dark Chrome	83 200 892-19
	Matte Black	83 200 892-33
	Brushed Gold (PVD)	83 200 892-37
	Brushed Dark Brass (PVD)	83 200 892-39
	Brushed Bronze (PVD)	83 200 892-42
	Brushed Dark Bronze (PVD)	83 200 892-43
	Brushed Champagne (22kt Gold)	83 200 892-46
	Champagne (22kt Gold)	83 200 892-47
	Brushed Chrome	83 200 892-93
	Brushed Dark Platinum	83 200 892-99

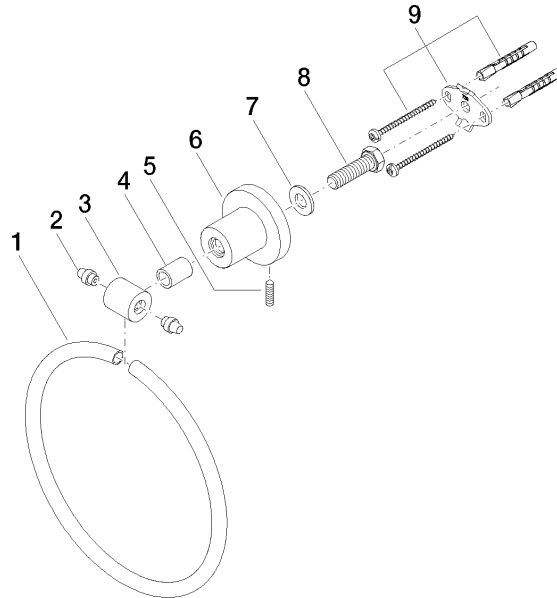
83 200 892 Product version from 4/1/2024

mm [inches]



83 200 892 Product version from 4/1/2024

Parts for other finishes can be found here: [Chrome](#)



## Spare parts list

No.	Item Number	Name	Quantity used	Delivery time
3	08 17 89 550-28	Holder for towel ring 22 x 22 x 23 mm - Brushed Durabron (23kt Gold)	1.00	40
4	08 17 20 624-28	Sleeve Ø 14 x 10 x 19,50 mm - Brushed Durabron (23kt Gold)	1.00	40
8	09 30 30 072 90	Mounting Hexagonal bolt with thread as far as head M10 x 35 mm -	1.00	14
1	08 18 80 502-28	Holder 185 x 185 x 10 mm - Brushed Durabron (23kt Gold)	1.00	40
7	09 30 11 046 90	Washer Ø 10,5 -	1.00	14
6	08 17 89 505-28	Holder universal 60 x 100 x 60 mm - Brushed Durabron (23kt Gold)	1.00	40
2	08 31 20 550 90	Plug for towel ring -	2.00	14
9	05 17 20 739 00 90	Attachment set 150 x 65 x 10 mm -	1.00	14
5	04 31 11 113 00 90	Mounting Threaded pin M5 x 12 mm -	1.00	14