

Profile corner surface 14 (24x19) 2m SET BW 0021576



Features

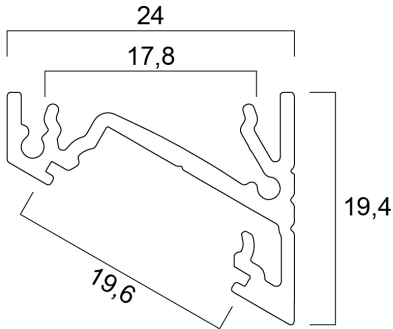
- The Profile corner surface 14 2m SET BW consists of 2m anodised black profile , opal diffuser (0022619), 2 end caps and 4 holders (0022645)

Product Overview

Product name	Profile corner surface 14 (24x19) 2m SET BW
Technology	Accessory
Housing	Aluminium
General application	Hospitality, Retail
ETIM Class	EC002557
E-number FI	4278575
Photobiological Risk Group	Not applicable
Housing colour	Black
IP rating	IP00
IK rating	IK00
Product EAN number	5410288215761
Warranty	3 years

Profile corner surface 14 (24x19) 2m SET BW 0021576

Technical drawings



Data table

GENERAL DATA

Product name	Profile corner surface 14 (24x19) 2m SET BW
Technology	Accessory
Accessory type	Mounting, Decorative
Type of accessory	Installation set
Housing	Aluminium
General application	Hospitality, Retail
Operating temperature range (°C)	25°C...+0°C
ETIM Class	EC002557
E-number FI	4278575
Warranty	3 years

OPTICAL DATA

Photobiological Risk Group	Not applicable
----------------------------	----------------

ELECTRICAL DATA

Profile corner surface 14 (24x19) 2m SET BW 0021576

Control gear required	No
-----------------------	----

PHYSICAL DATA

Housing colour	Black
IP rating	IP00
IK rating	IK00
Diffuser finish	Opal
Nominal Product Length (mm)	2000
Nominal Product Width (mm)	24
Nominal Product Height (mm)	19.4
Weight (kg)	0.49

PACKAGING

Product EAN number	5410288215761
Packaging single length / height (cm)	200.5
Packaging single width (cm)	3.0
Packaging single depth (cm)	1.9
DUN14 (inner)	15410288215768
Units per outer package	50
Packaging outer length / height (cm)	210.0
Packaging outer width (cm)	17.0
Packaging outer depth (cm)	17.5

SAFETY DATA

Special purpose lamp	No
Dry applications use only	No
Suitable for household illumination	No