

10 060 970 Product version from 10/1/2023

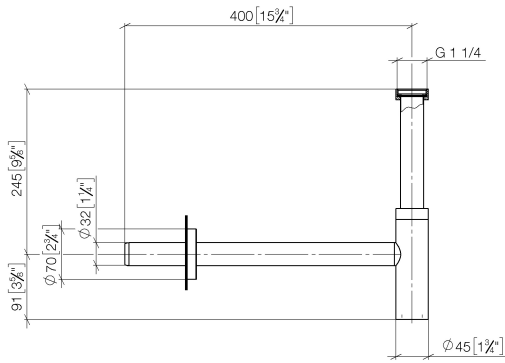
• rosette Ø 70 mm



	Platinum	10 060 970-08
	Chrome	10 060 970-00
	Brushed Platinum	10 060 970-06
	Durabass (23kt Gold)	10 060 970-09
	Dark Chrome	10 060 970-19
	Light Gold (PVD)	10 060 970-26
	Brushed Light Gold (PVD)	10 060 970-27
	Brushed Durabass (23kt Gold)	10 060 970-28
	Matte Black	10 060 970-33
	Brushed Gold (PVD)	10 060 970-37
	Brushed Dark Brass (PVD)	10 060 970-39
	Brushed Bronze (PVD)	10 060 970-42
	Brushed Dark Bronze (PVD)	10 060 970-43
	Brushed Champagne (22kt Gold)	10 060 970-46
	Champagne (22kt Gold)	10 060 970-47
	Brushed Chrome	10 060 970-93
	Brushed Dark Platinum	10 060 970-99

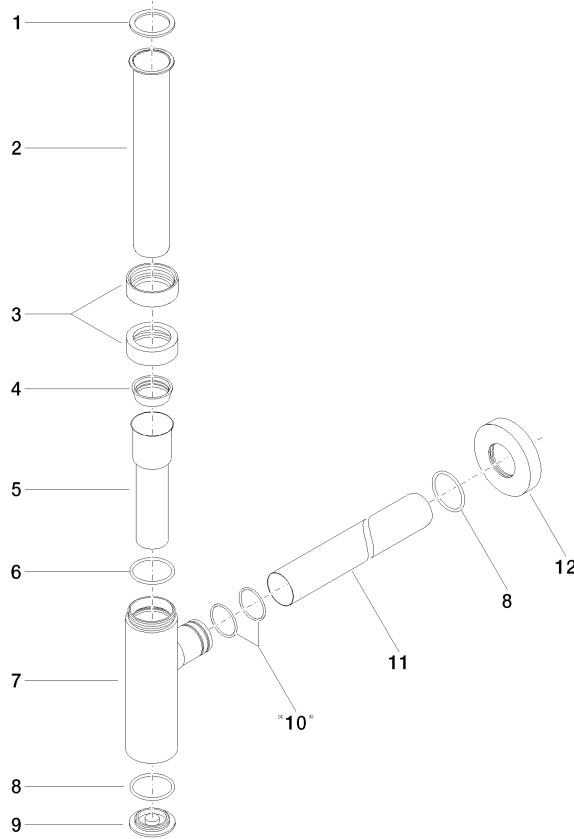
10 060 970 Product version from 10/1/2023

mm [inches]



10 060 970 Product version from 10/1/2023

Parts for other finishes can be found here: Chrome



Spare parts list

No.	Item Number	Name	Quantity used	Delivery time
10	09 14 10 112 90	O-Ring 24,0 x 2,0 mm -	2.00	14
1	09 14 20 060 90	Washer NBR 70 -	1.00	14
9	09 21 02 004-08	Cover Ø 39,5 x 7 mm - Platinum	1.00	-
Spare part can no longer be ordered, please order the replacement item				
7	04 11 01 045 00-08	Body for odour trap Ø 45 x 149 mm - Platinum	1.00	-
Spare part can no longer be ordered, please order the replacement item				
4	09 14 03 015 90	Washer Profile seal odour trap Ø 39 x 12 mm -	1.00	14
11	09 28 23 018-08	Pipe for odour trap Ø 32 x 375 mm - Platinum	1.00	54
3	09 23 30 022-08	Mounting for odour trap without side flat 1 1/4" - Platinum	2.00	-
Spare part can no longer be ordered, please order the replacement item				
8	09 14 10 148 90	O-Ring 32 x 2,5 mm -	2.00	14
12	09 27 20 060-08	Rosette Ø 69 x 14 mm - Platinum	1.00	-
Spare part can no longer be ordered, please order the replacement item				
5	09 28 23 019-08	Pipe for odour trap Ø 37,1 x 123,5 mm - Platinum	1.00	-
Spare part can no longer be ordered, please order the replacement item				
6	09 14 10 149 90	O-Ring 34 x 2,5 mm -	1.00	14
2	09 28 23 007-08	Pipe for odour trap Ø 32 x Ø 39 x 200 mm - Platinum	1.00	54