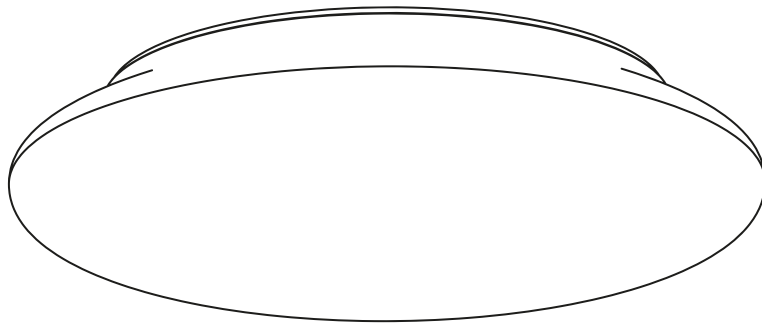




Read these instructions & save for future use

Ceiling light | Ø300mm | 12W | 3-CCT



Article number **136-042**

Brand **Tronix Lighting**

Type **Ceiling lighting**

Contents of this product **1x 12W ceiling light 3-CCT**

Technical datasheet **Digitally available
on our webshop**



*View instructions and
technical data also on
our website*

TRONIX



Before first use

Before getting started with this product, it is advisable to check the order completeness and any damage. If this is the case, please contact Tronix Lighting.

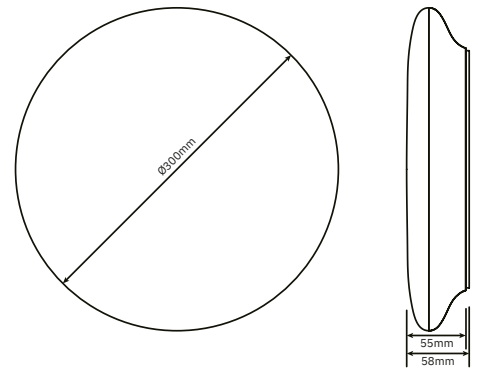
Description

This ceiling fixture is a true all-rounder. Thanks to its minimalist appearance, it is ideally suited for spaces such as the office, living spaces, hotels, schools and other public areas.

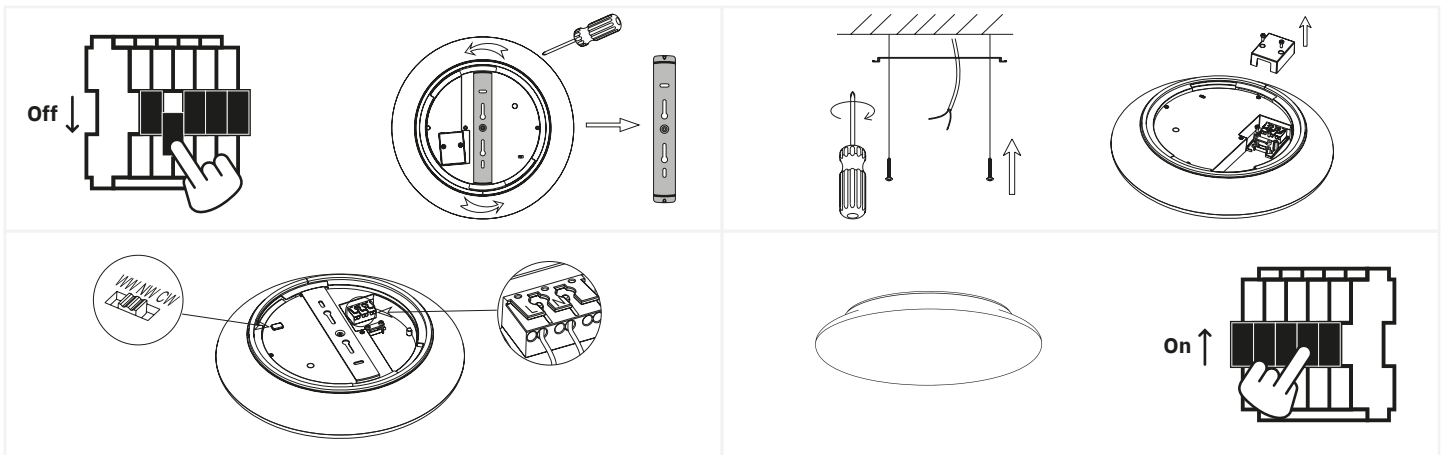
Also, the variable color temperature ensures that you can always enjoy the perfect light experience.

Features

- High quality internal driver with optimal heat dissipation;
- Directly connectable by means of connection block on the fixture;
- Adjustable by means of a CCT switch in 3000K, 4000K and 5700K;
- Long lifespan of 50,000 hours.



Installation



1. Turn off the power and remove the product and associated parts from the packaging. Loosen the bracket by turning it counterclockwise using a screwdriver;
2. Secure the bracket to the ceiling using the provided plugs and screws. Next, remove the cover from the socket;
3. Insert the wiring into the lamp (L = brown, N = blue) and set the desired light color;
4. Press the lamp against the ceiling and screw it into the bracket. Check the installation and activate the power when OK.



Safety

Safety is a top priority at Tronix Lighting. Therefore, we heartily recommend that you follow the following steps closely:

- Keep this manual carefully for future reference;
- Choose a qualified electrician while installing, maintaining or inspecting this product;
- Never look directly into a light source to avoid possible eye damage;
- Ensure that the respective power group is always on non-active when the product is connected;
- Use only recommended combinations (LED drivers, controllers or dimmers) to avoid injury or damage to the product;
- The light source of this light is not replaceable. Because of this, you must replace the entire fixture towards the end of its lifespan and it is not recommended to open it.

Technical problems and repair

Should a product not work properly after installation, or if the product exhibits problems over time, it is advisable to check the following elements:

- Check the wiring and installation of your product;
- Check for the presence of interfering elements such as dust, water or other electronics;
- If possible, try disconnecting the product and testing it in another location to rule out a problem at the location;
- Should you be dealing with a WIFI-based product, check and reset your router's settings.

Should the product still not work after testing, it is recommended to send it in for inspection and/or repair. To do so, please contact Tronix Lighting using nearby details and proof of purchase (packing slip).



CARE



SHARE



CONNECT

Supplier:

Tronix Lighting B.V

Vluchtoord 41
5406 XP Uden, Netherlands

+31 (0)413 330 380
sales@tronixlighting.com

Terms and symbols (as relevant to product)



The **CE mark** indicates that this product complies with EU regulations on safety, health and environmental protection;



The **WEEE symbol** stands for "Waste Electrical and Electronic Equipment Regulation," a directive on the collection, recycling and recovery of electronic waste;



The **Class II symbol** indicates that this product is double insulated;

- This product has an **IP54 rating**. This means that the housing provides protection against touch, but does not provide full protection against dust. No damage if sprayed (10 l/min), regardless of angle.