

MEM Wall-mounted basin mixer without pop-up waste - Chrome

MEM

36 707 782 Product version from 3/10/2014 to 10/27/2020



- 170mm projection
- fixed spout
- rectangular, air-enriched flow
- hole diameter valve 35 mm
- hole diameter spout 35 mm
- individual rosettes 60 x 60 mm
- max. flow 5.7 l/min
- lead-free
- This product can help a building meet the requirements of Green Building Rating Systems, e.g. LEED®, BREEAM®, DGNB
- WRAS

	Chrome	36 707 782-00
	Brushed Platinum	36 707 782-06
	Platinum	36 707 782-08
	Dark Chrome	36 707 782-19
	Brushed Light Gold (PVD)	36 707 782-27
	Brushed Durabrass (23kt Gold)	36 707 782-28
	Brushed Gold (PVD)	36 707 782-37
	Brushed Dark Brass (PVD)	36 707 782-39
	Brushed Bronze (PVD)	36 707 782-42
	Brushed Dark Bronze (PVD)	36 707 782-43
	Brushed Champagne (22kt Gold)	36 707 782-46
	Champagne (22kt Gold)	36 707 782-47
	Brushed Dark Platinum	36 707 782-99

Required miscellaneous



Concealed wall-mounted mixer variable positioning - 35 720 970 90
 •min. recess depth 110 mm
 •max. recess depth 150 mm

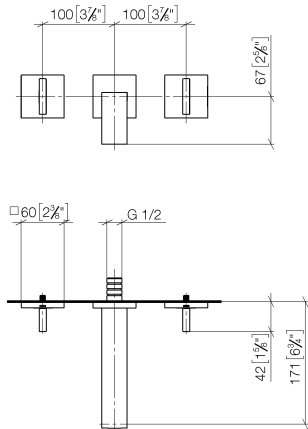
Required miscellaneous



Concealed wall-mounted mixer centred spout - 35 700 970 90
 •min. recess depth 110 mm
 •max. recess depth 150 mm

36 707 782 Product version from 3/10/2014 to 10/27/2020

mm [inches]



Flow rate chart



Codes & Standards

DIN 4109	EN 200	ISO 3822	Scottish Water Byelaws
UK Water Supply Regulations	Ü-Zeichen	VA-Zeichen	



MEM Wall-mounted basin mixer without pop-up waste - Chrome

MEM

36 707 782 Product version from 3/10/2014 to 10/27/2020

Certificates and sustainability

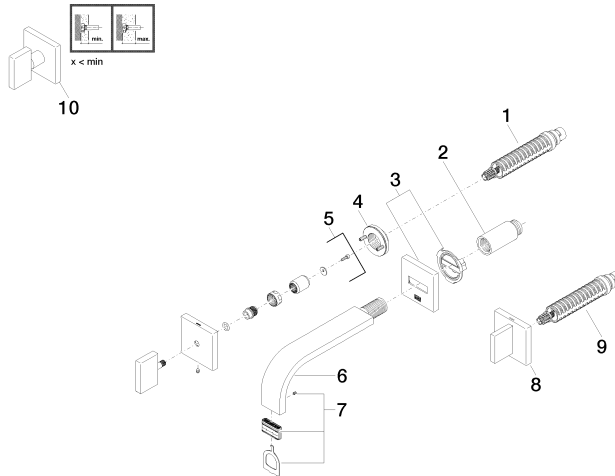
LGA_18

ETA_19

WRAS_2204

EPD-DOR-20230287
-IBA1-EN
Environmental.prod
uct-declarat

36 707 782 Product version from 3/10/2014 to 10/27/2020



Spare parts list

No.	Item Number	Name	Quantity used	Delivery time
5	90 20 78 002 07-00	Handle for wall valve Hot 60 x 75 x 60 mm - Chrome	1.00	20
2	09 24 03 081 10 90	Extension 1/2" x 50 mm -	1.00	14
9	90 90 03 157 00 90	Head part clockwise closing 1/2" -	1.00	14
3	90 27 78 035 00-00	Cover 60 x 60 x 9 mm - Chrome	1.00	20
10	90 20 78 002 01-00	Handle 60 x 60 x 55 mm - Chrome	1.00	20
4	90 21 02 108 00 90	Wall disc complete -	2.00	14
7	90 29 03 109 00 90	Aerator insert 5,7 l/min. -	1.00	14
6	04 28 22 150 10-00	Spout 170 x 35 x 11 mm - Chrome	1.00	20
8	90 20 78 002 06-00	Handle for wall valve Cold 60 x 75 x 60 mm - Chrome	1.00	20
1	90 90 03 156 00 90	Head part anti-clockwise closing 1/2" -	1.00	14