

Motion detector, 230 V, 13 m, 180°, IP54, for surface mounting, anthracite

350-20158

CE CE

4 year warranty



This 1-channel outdoor motion detector is especially suitable for use in a driveway or garden. It was designed to be surface mounted on a wall or partition. The detection range can be set to between 0 and 13 m and can be adapted using the cover mask. The sensor is surface-mounted on the wall. The device has a built-in light sensor and switches the lighting on and off automatically. Manual operation is also possible using the N.C. push button. After the pre-set time delay, the light is switched off automatically. This motion detector has an IP54 protection degree and complies with the European directives for EMC and safety, EN 60669-2-1.

Colour: anthracite

Compatible secondary detectors:

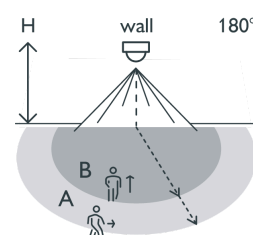
Compatible master detectors:

- Sustainable
- Functional
- Elegant
- Simple installation
- Energy saving
- Greater comfort
- Improved burglary protection
- Separate setting for the lux, the switch-off delay and the sensitivity

Motion detector for use in driveways, carports, gardens, etc.

- The outdoor motion detector is fitted with a built-in light sensor; the lighting only turns on if the detector detects motion in the detection range and the

Detection range



H	A Across	B Towards
2 m	8 m	4 m
2.5 m	11 m	5.5 m
3 m	13 m	6.5 m

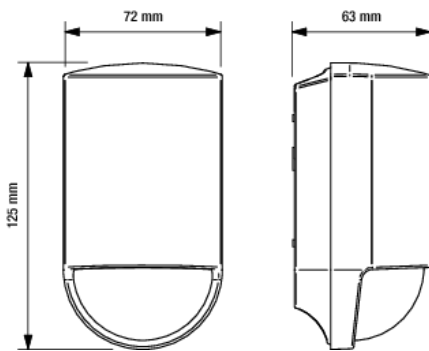
level of daylight is below the programmed lux value.

- The lighting remains on while motion is detected.
- The built-in time switch allows you to set the desired switch-off delay. The lighting will remain on throughout the disconnection time after the last movement has been detected.
- The sensor's lens can be covered with the cover mask provided, so you can divide the detection zone. The cover mask can be adapted according to the desired range.

Technical features

Configuration	stand-alone
Input voltage	230 Vac
Detector output	230 V (ON/OFF)
Switch-off delay	60 sec – 1,800 sec
Maximum MCB rating	-10
Detection angle	180 °
Detection range (PIR)	13 m from a height of 3 m
Minimum ambient temperature	-20 °C
Maximum ambient temperature	+45 °C
Mounting method	surface mounting
Mounting height	2 m – 3 m
Colour	anthracite
Dimensions (HxWxD)	125 mm x 72 mm x 63 mm
Protection degree standalone	IP54

Dimensions



Wiring diagram

