
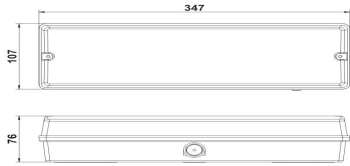


136-024 Product Specification

Product Picture: 	Product Size 
Product Code	136-024

Technical Specification for Instruction Manuals

Product Description	Vestibule Light
Input Voltage Range	220-240V
Input Frequency Range	50/60Hz
Power Factor	0.39
Power Consumption	6.4W
Light source category	SMD LED
LED Model and Quantity	5730/20PCS
Lumen Output Mains	328lm
Operating Temperature Range	0-40°C
Colour Temperature	4000K
Dimensions	347 * 107 * 76mm
Installation hole size	N/A
Cable entry hole size	Φ20mm
IP Rating	IP65
Safety Classification	Class 1
Installation	Wall / Ceiling installation
Certificate	CE
Does it pass the high voltage test? (1500V 5second)	PASS