

Motion detector, 24 V, 15 m, 90°, incl. twilight switch 3-300 lux, for surface mounting

350-30010

CE

4 year warranty



24V



IP20



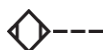
3 lx - 300 lx



90°



surface-mounting



This motion detector is used in combination with the daylight control module 360-35010 for switching lighting. It is equipped with an integrated light sensor and has a detection range of 15 m within a detection angle of 90°. This motion detector has an IP20 protection degree and is suitable for indoor applications. In combination with the IP54 protection cap, 390-20010, this photo cell is also suitable for outdoor applications.

Colour: white

Compatible secondary detectors:

Compatible master detectors:

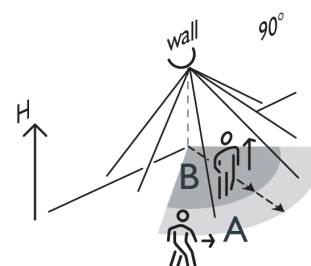
- Sustainable, functional, compact
- Simple installation
- Energy saving
- Up to eight sensors per module
- Adjustable sensitivity
- With an integrated light sensor.
- Can be combined with Niko Home Control

Motion detector for use in corridors, stairwells, small offices, etc.

- The motion detector operates using passive infrared (PIR) technology and reacts to changes in temperature and to body motion.
- The motion detector is ready to be used three to five minutes after being connected to the mains voltage (warm up time).
- Clamps are provided for mounting on walls and ceilings.
- To be used in combination with the daylight control module (360-35010) for indoor lighting control. In this case, the lighting turns on automatically



Detection range



H	A	B
	Across	Towards
2 m	15 m	7.5 m

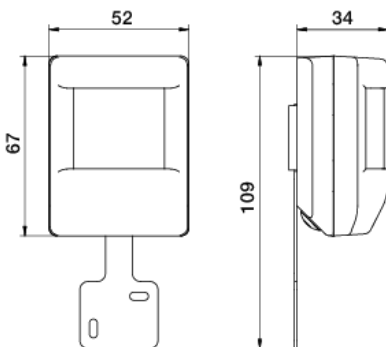
when the daylight level passes below the programmed lux value and motion is detected in the detection area.

- Also suitable for outdoor use. In this case, a protective cap (to be ordered separately) is used to make the motion detector splashproof (IP54 protection degree).
- Connection possible to Niko Home Control via the potential-free digital sensor module (550-00210).

Technical features

Input voltage	24 Vdc \pm 10 %
Detector output	230 V (ON/OFF)
Detection angle	90 °
Minimum ambient temperature	-20 °C
Maximum ambient temperature	+50 °C
Mounting method	surface mounting
Colour	white
Dimensions (HxWxD)	67 mm x 52 mm x 34 mm
Protection degree standalone	IP20

Dimensions



Wiring diagram

