

26 413 370 Product version from 4/1/2025



- metal shower hose 1750mm with integrated anti-twist protection
- shower hose connector 1/2"
- slide bar

Technical data:

- gauge 850 mm
- rosettes Ø 60 mm
- Pipe diameter 18 mm

Notes:

This article does not include a hand shower!

| | | |
|--|--------------------------------|---------------|
| | Platinum | 26 413 370-08 |
| | Chrome | 26 413 370-00 |
| | Brushed Platinum | 26 413 370-06 |
| | Durabronze (23kt Gold) | 26 413 370-09 |
| | Brushed Durabronze (23kt Gold) | 26 413 370-28 |
| | Brushed Gold (PVD) | 26 413 370-37 |
| | Brushed Dark Brass (PVD) | 26 413 370-39 |
| | Brushed Bronze (PVD) | 26 413 370-42 |
| | Brushed Dark Platinum | 26 413 370-99 |

Recommended miscellaneous

| | | |
|--|--|---------------|
| | Concealed wall elbow - •min. recess depth 90 mm •max. recess depth 163 mm | 35 085 970 90 |
|--|--|---------------|

Recommended miscellaneous

| | | |
|--|-----------------------------|---------------|
| | Elbow 35° - Platinum | 28 411 970-08 |
|--|-----------------------------|---------------|

Required miscellaneous

| | | |
|--|--|-----------------------|
| | MADISON Metal hand shower with porcelain insert (white) FlowReduce - Platinum | 28 002 970-08 0010 |
|--|--|-----------------------|

Recommended miscellaneous

| | | |
|--|--------------------------------------|---------------|
| | MADISON Wall elbow - Platinum | 28 450 370-08 |
|--|--------------------------------------|---------------|

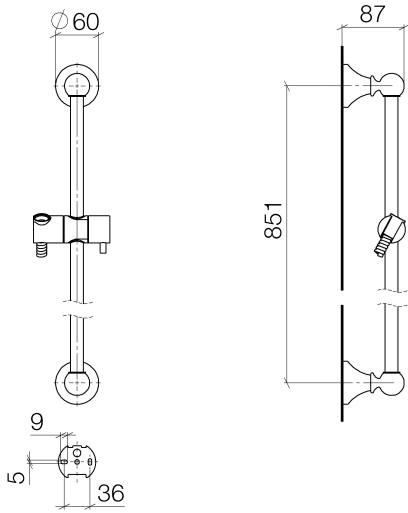
Required miscellaneous

| | | |
|--|--|-----------------------|
| | MADISON Hand shower FlowReduce 95 mm - Platinum •Three settings: COMPACT RAIN, COMPACT SOFT FLOW, COMPACT AQUAPRESSURE FLOW, max. flow rate l/min (at 3 bar) •spray head Ø 95mm •Hand shower see page {PAGE} | 28 002 978-08 0010 |
|--|--|-----------------------|

Required miscellaneous

| | | |
|--|---|---------------|
| | MADISON Hand shower 95 mm - Platinum •Three settings: COMPACT RAIN, COMPACT SOFT FLOW, COMPACT AQUAPRESSURE FLOW, max. flow rate l/min (at 3 bar) •spray head Ø 95mm •Hand shower see page {PAGE} | 28 002 978-08 |
|--|---|---------------|

26 413 370 Product version from 4/1/2025

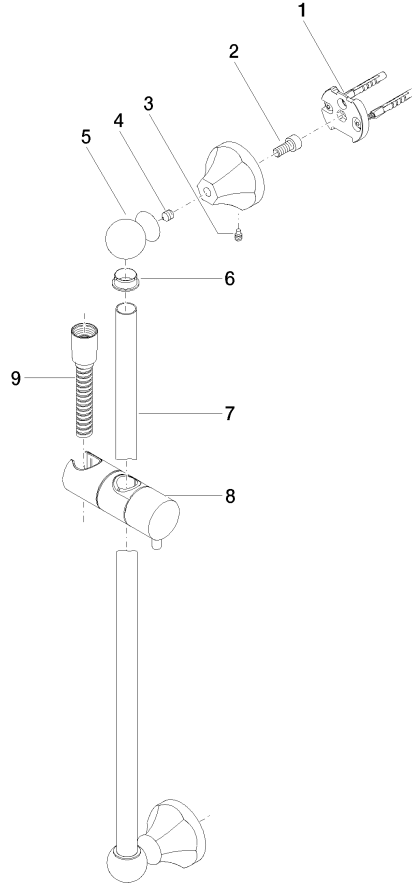


Codes & Standards

| | | | |
|----------------|------|---------------------------|--------------------------------|
| ASME A112.18.1 | cUPC | Scottish Water Byelaws | UK Water Supply Regulations |
|----------------|------|---------------------------|--------------------------------|

Certificates and sustainability

| | |
|-----------|------------|
| WRAS_2009 | IAPMO_4976 |
|-----------|------------|



Spare parts list

| No. | Item Number | Name | Quantity used | Delivery time |
|--|--------------------|--|---------------|---------------|
| 7 | 08 28 22 596-08 | Pipe Ø 18 x 870 mm - Platinum | 1.00 | 54 |
| 2 | 09 30 30 048 90 | Mounting Cylinder head screw with hexagon socket M8 x 18 mm - | 2.00 | 14 |
| 3 | 09 31 11 140 90 | Mounting Threaded pin with hexagon socket with pins M6 x 10 mm - | 2.00 | - |
| Spare part can no longer be ordered, please order the replacement item | | | | |
| | 0431111400090 | Mounting Threaded pin M6 x 10 mm - | | |
| 6 | 09 18 40 009 90 | Sleeve Ø 23 x 10 mm - | 2.00 | 14 |
| 4 | 09 31 11 002 90 | Mounting Threaded pin with hexagon socket M8 x 10 mm - | 2.00 | 14 |
| 1 | 05 17 97 507 00 90 | Attachment set 52 x 45 x 70 mm - | 2.00 | 14 |
| 9 | 28 204 970-08 | Metal shower hose 1/2" x 1/2" x 1750 mm - Platinum | 1.00 | 54 |
| 8 | 12 580 970-08 | Slide unit - Platinum | 1.00 | 54 |
| 5 | 09 21 40 020-08 | Ball joint for bidet aerator 32 x 35 x 46,5 mm - Platinum | 2.00 | - |
| Spare part can no longer be ordered, please order the replacement item | | | | |