

Motion detector, 24 V, 8 m, with potential-free contact, for surface mounting

350-41549



4 year warranty



The motion detector has a limited diameter (80 mm) and thickness (3 cm) and an adjustable sensitivity (4 levels). For use in small offices, storage areas, corridors, conference rooms, ... The detector is suitable for the control of HVAC, ventilation, building management systems, Niko Home Control ... It is possible to set both the switch-off delay of the potential-free relay and the sensitivity of the detector on the device using the DIP switches.

Colour: white

Compatible secondary detectors:

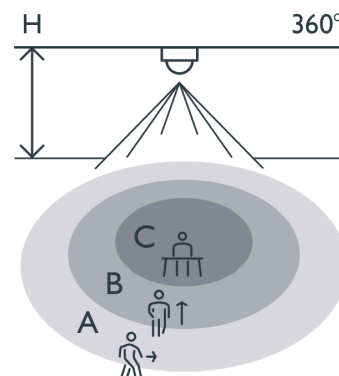
Compatible master detectors:

- Small diameter (80 mm) and limited thickness (3 cm)
- Adjustable sensitivity (four levels)
- Can be combined with Niko Home Control

For use in small offices, storerooms, corridors, meeting rooms, etc.

- The detector is suitable for the HVAC control, ventilation, building management systems, Niko Home Control, etc.
- The switch-off delay of the potential-free relay and the sensitivity of the detector can be set on the device using DIP switches.
- Connection possible to Niko Home Control via the potential-free digital sensor module (550-00210).

Detection range

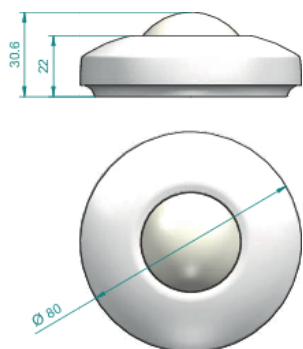


H	A Across	B Towards	C Presence
2.5 m	ø 7 m	ø 4 m	ø 3.5 m
3 m	ø 8 m	ø 4.5 m	ø 4 m
3.5 m	ø 10 m	ø 6 m	ø 4 m
4 m	ø 12 m	ø 7 m	ø 4 m

Technical features

Input voltage	24Vac-Vdc
Detector output	230 V (ON/OFF)
Switch-off delay	30 sec – 3,600 sec
Detection angle	360 °
Detection range (PIR)	ø 8 m from a height of 3 m
Minimum ambient temperature	-5 °C
Maximum ambient temperature	+50 °C
Mounting method	surface mounting
Mounting height	2.5 m – 4 m
Colour	white
Dimensions (HxWxD)	80 mm x 80 mm x 30.6 mm
Protection degree standalone	IP20

Dimensions



Wiring diagram

