

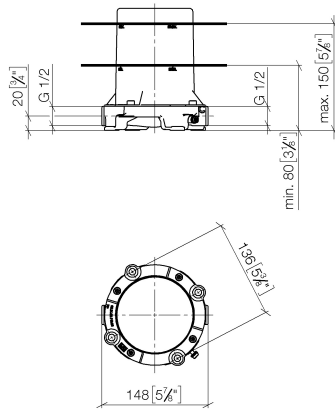
35 945 970 90



- red brass, lead-free
- 2x female thread 1/2" connections
- dust cover
- anti-water packing
- WRAS

35 945 970 90

mm [inches]



Certificates and sustainability

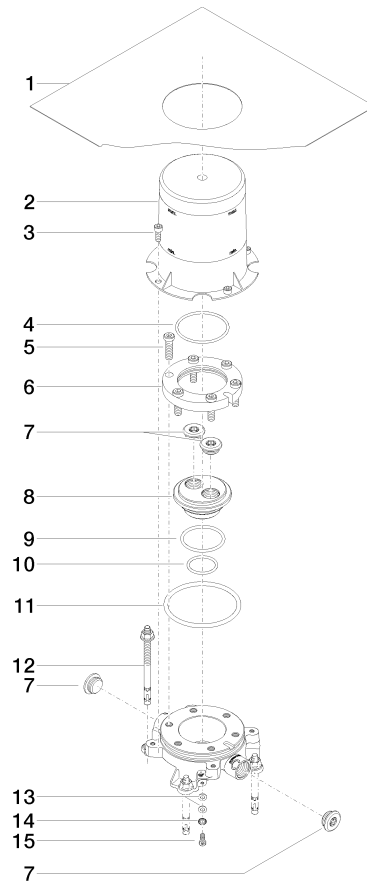
EPD-DOR-20230287

-IBA1-EN

Environmental.prod

uct-declarat

35 945 970 90



### Spare parts list

No.	Item Number	Name	Quantity used	Delivery time
	4 09 14 10 078 90	O-Ring NBR 70 60,0 x 3,0 mm -	1.00	14
	8 09 31 20 033 90	Plug Filter stopper -	1.00	14
	15 09 30 30 058 90	Mounting Cylinder head screw with hexagon socket with low profile M5 x 16 mm -	1.00	14
	11 09 14 10 072 90	O-Ring NBR 70 85,0 x 5,0 mm -	1.00	14
	5 09 30 30 047 90	Mounting Cylinder head screw with hexagon socket M8 x 30 mm -	6.00	14
	1 04 14 03 077 00 90	Washer For base plate, spray deck mounting Packing -	1.00	14
	14 90 30 11 032 00 90	Mounting Serrated lock washer Ø 5,3 -	1.00	14
	13 09 30 11 048 90	Washer Ø 5,3 -	2.00	14
	6 09 30 11 121 90	Flange Ø 97 x 14 mm -	1.00	14
	12 04 30 35 008 00 90	Mounting Bolt anchor M8 x 115 mm -	4.00	14
	2 09 21 02 116 90	Protective cap 140 x 140 mm -	1.00	14
	9 09 14 10 084 90	O-Ring EPDM 70 48 x 3,5 mm -	1.00	14
	10 09 14 10 018 90	O-Ring EPDM 70 32,0 x 3,0 mm -	1.00	14
	7 04 31 20 006 00 90	Plug 1/2" -	4.00	14
	3 09 30 30 053 90	Mounting Cylinder head screw with hexagon socket M6 x 16 mm -	4.00	14